

## DECOSTAR 51 ECO 50 W 12 V 10° GU5.3

DECOSTAR 51 ECO | Halogen dichroic reflector lamps with 51 mm diameter



### Areas of application

- General illumination
- Kitchen lighting
- Dining table lighting
- Mirror lighting
- Workplace lighting
- Shops
- Restaurants, hotels and similar prestigious applications

### Product benefits

- Brilliant ECO accent lighting
- Significantly lower CO<sub>2</sub> emissions
- Constant luminous intensity and constant color location throughout
- Approved for use in open luminaires (to IEC 60598-1)
- UV filter
- Contains no mercury

### Product features

- Average life: 5,000 h
- Dimmable
- Color rendering index R<sub>a</sub>: 100
- Color temperature: 3,000 K



# Product datasheet

---

## Technical data

---

### Electrical data

Nominal wattage	50.00 W
Nominal voltage	12 V
Rated wattage	50.00 W
Claimed equiv. conventional lamp power	75 W
Power factor $\lambda$	1.00
Energy consumption	53 kWh/1000h

### Photometrical data

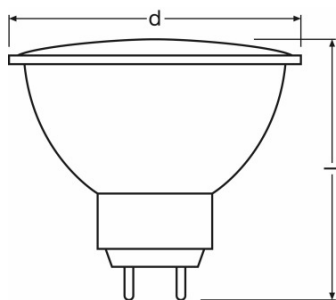
Nominal useful luminous flux 90°	870 lm
Luminous intensity	15000 cd
Color temperature	3000 K
Light color as per EN 12464-1	Warm White
Color rendering index Ra	100
Lumen main.fact.at end of nom.life time	0.75
Rated useful luminous flux 90°	870 lm

### Light technical data

Beam angle	10 °
Starting time	0.0 s
Warm-up time (60 %)	0.00 s

### Dimensions & weight

---



### Product line drawing

Diameter	51.0 mm
----------	---------

## Product datasheet

<b>Length</b>	46.0 mm
<b>Overall length</b>	45.0 mm
<b>Outer bulb</b>	MR51
<b>Maximum diameter</b>	51.0 mm

### Colors & materials

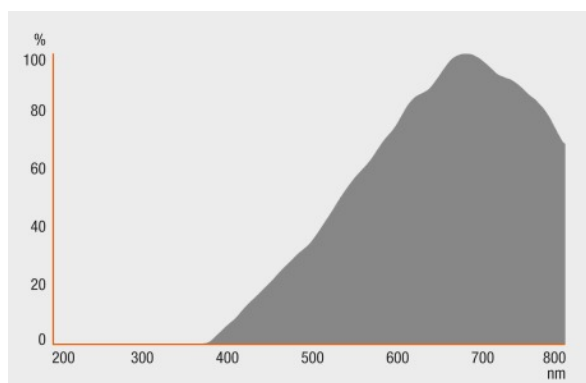
<b>Lamp mercury content</b>	0.0 mg
<b>Mercury-free</b>	Yes

### Lifespan

<b>Nominal lamp life time</b>	5000 h
<b>Rated lamp life time</b>	5000 h
<b>Number of switching cycles</b>	125000 <sup>1)</sup>

<sup>1)</sup> At 1 min on / 3 min off

### Additional product data



### Spectral power distribution

<b>Base (standard designation)</b>	GU5.3
------------------------------------	-------

### Capabilities

<b>Burning position</b>	Any
<b>Dimmable</b>	Yes

## Product datasheet

### Certificates & standards

Energy efficiency class	B
-------------------------	---

### Country specific categorizations

ILCOS	HRGS//UBIB-50-12-GU5.3-51/10
Order reference	48870 ECO SP 50

---

### Country specific information

Product code	METEL code	SEG number	STK number	UK Org
4050300516677	OSRH48870SPECO	8326930	4739666	-

## Product datasheet

---

### Logistical Data

---

Product code	Product description	Packaging unit (Pieces/Unit)	Dimensions (height x width x length)	Volume	Gross weight
4050300516677	DECOSTAR 51 ECO 50 W 12 V 10° GU5.3	Folding carton box 1	51 mm x 46 mm x 58 mm	0.14 dm <sup>3</sup>	38.00 g
4050300533926	DECOSTAR 51 ECO 50 W 12 V 10° GU5.3	Shipping carton box 20	109 mm x 122 mm x 238 mm	3.16 dm <sup>3</sup>	836.00 g

---

The mentioned product code describes the smallest quantity unit which can be ordered. One shipping unit can contain one or more single products. When placing an order, for the quantity please enter single or multiples of a shipping unit.

---

### References / Links

---

For light distribution curves see

▶ [www.osram.com](http://www.osram.com)

---

### Disclaimer

---

Subject to change without notice. Errors and omission excepted. Always make sure to use the most recent release.