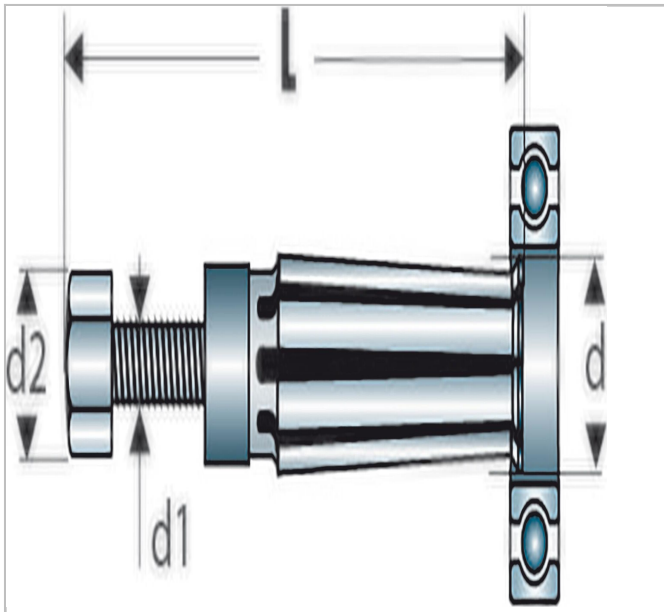



U.49P - Clamps for inside grip



Description:

- High impact and screwing / unscrewing resistance.
- Multiple flexible blades and hardly sensitive to distortion.
- Easy to use.



	Length L [mm]	Diameter D Maxi [mm]	Diameter D Mini - Maxi [mm]	Diameter D1 [mm]	Diameter D2 [mm]	Weight [Kg]
U.49P1	76.0	8.0	6.5 - 8	M8	12.0	0.025
U.49P2	76.0	10.0	8.5 - 10	M8	12.0	0.03
U.49P3	88.0	13.0	10.5 - 13	M8	12.0	0.045
U.49P4	100.0	18.0	13 - 18	M8	12.0	0.07
U.49P5	112.0	22.5	18 - 22.5	1/2"	17.0	0.14
U.49P6	139.0	30.0	22.5 - 30	1/2"	17.0	0.3
U.49P7	158.0	38.0	30 - 38	1/2"	22.0	0.545
U.49P8	190.0	50.0	38 - 50	1/2"	1 - 1/4"	1.2
U.49P9	190.0	60.0	50 - 60	1/2"	1 - 1/4"	1.4