



Telephone: 01604 677240
sales@igus.co.uk
www.igus.co.uk

Caswell Road
Northampton
NN4 7PW

Rod ends, male thread, stainless steel 304 grade housing with igus polymer W300 K spherical ball press fitted into the housing according to DIN ISO 12240

Maintenance-free dry operation

High rigidity

Very high durability in varying loads

Compensation of misalignment errors

Compensation of edge loads

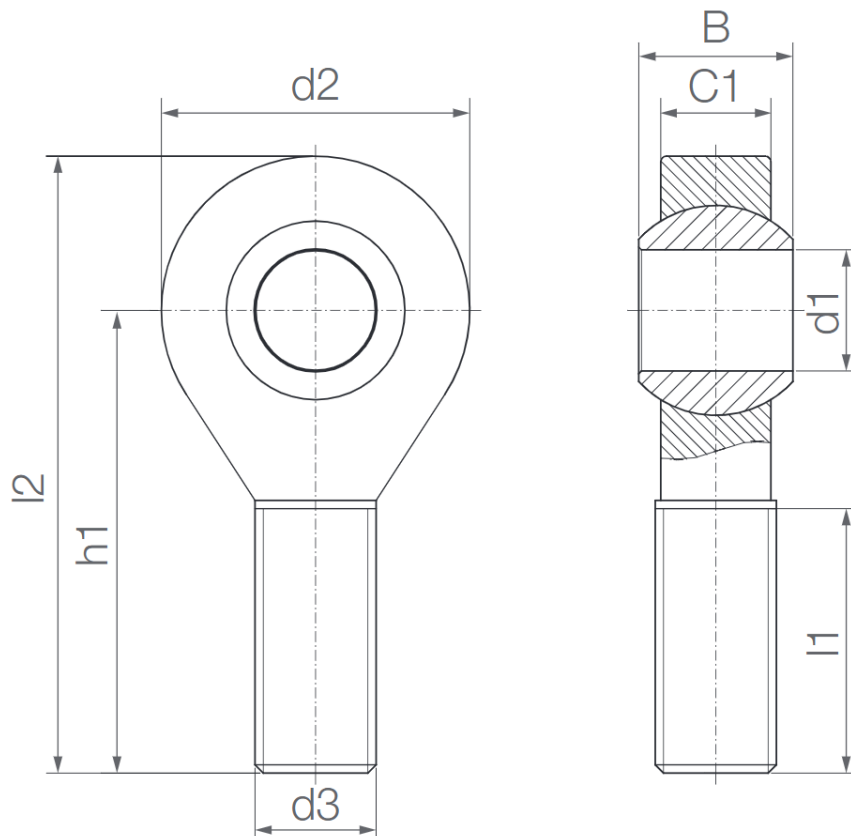
Resistant to dirt, dust and lint

Resistant to corrosion and chemicals

High vibration-dampening

Suitable for rotating, oscillating and linear movements

Very lightweight

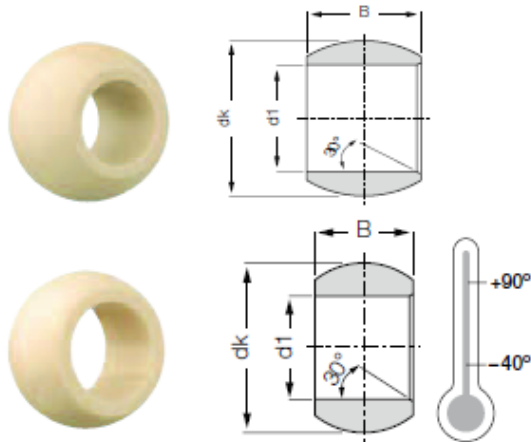


Part No. (left hand KALM)	dimensions mm								dynamic load N	static load N
	d1	d2	h1	l2	D	b	d3	l1		
KARM-10-ES-CL	10	28	50	64	13.5	14	M10X1.5	29	3150	6300
KARM-12-ES-CL	12	32	56	72	15	16	M12X1.75	33	4320	8640
KARM-14-ES-CL	14	36	60	78	16.5	19	M14X2	38	5670	11340
KARM-16-ES-CL	16	42	64	88	18	21	M16X2	40	7200	14400
KARM-18-ES-CL	18	46	72	95	19.5	23	M18X1.5	44	8910	17820
KARM-20-ES-CL	20	50	79	104	21	25	M20X1.5	47	10800	21600
KARM-22-ES-CL	22	54	84	111	23	28	M22X1.5	51	13200	26400
KARM-25-ES-CL	25	60	94	124	25	31	M24X2	58	16500	33000
KARM-30-ES-CL	30	70	110	145	28	37	M30X2	71	22500	45000

igubal® spherical balls | Product range

igubal®
spherical
balls

Standard spherical balls:
WKM and WEM



Order key

Type	Size [mm]	Options
W ... M - 02 - 04		
igubal® W300 spherical balls	Dimensional series	Series K: series K E: series E
	Metric	
	Inner-Ø d1	
	Width	

Imperial dimensions available
▶ Page 1454

Dimensions [mm]

Part No.	d1 E10	dK	B	Weight [g]
WKM-02-04	2.00	5.10	4.00	0.1
WKM-03-06	3.00	8.10	6.00	0.3
WKM-05-08	5.00	11.30	8.00	0.6
WKM-06-09	6.00	12.80	9.00	0.9
WKM-08-12	8.00	16.00	12.00	1.6
WKM-10-14	10.00	19.00	14.00	2.7
WKM-12-16	12.00	22.10	16.00	4.0
WKM-14-19	14.00	25.40	19.00	6.0
WKM-16-21	16.00	28.40	21.00	8.2
WKM-18-23	18.00	31.50	23.00	10.8
WKM-20-25	20.00	35.10	25.00	14.5
WKM-22-28	22.00	38.30	28.00	18.7
WKM-25-31	25.00	42.90	31.00	26.0
WKM-30-37	30.00	51.20	37.00	44.7

Dimensions [mm]

Part No.	d1 E10	dK	B	Weight [g]
WEM-04-05	4.00	8.30	5.00	0.2
WEM-05-06	5.00	10.30	6.00	0.3
WEM-06-06	6.00	10.30	6.00	0.4
WEM-08-08	8.00	13.30	8.00	0.7
WEM-10-09	10.00	16.10	9.00	1.2
WEM-12-10	12.00	18.10	10.00	1.5
WEM-15-12	15.00	22.00	12.00	2.4
WEM-16-13	16.00	24.10	13.00	3.3
WEM-17-14	17.00	25.10	14.00	3.7
WEM-20-16	20.00	29.10	16.00	5.3
WEM-25-20	25.00	35.60	20.00	9.5
WEM-30-22	30.00	40.90	22.00	12.1



3D-CAD files, prices and delivery time online ▶ www.igus.eu/spherical-balls 767