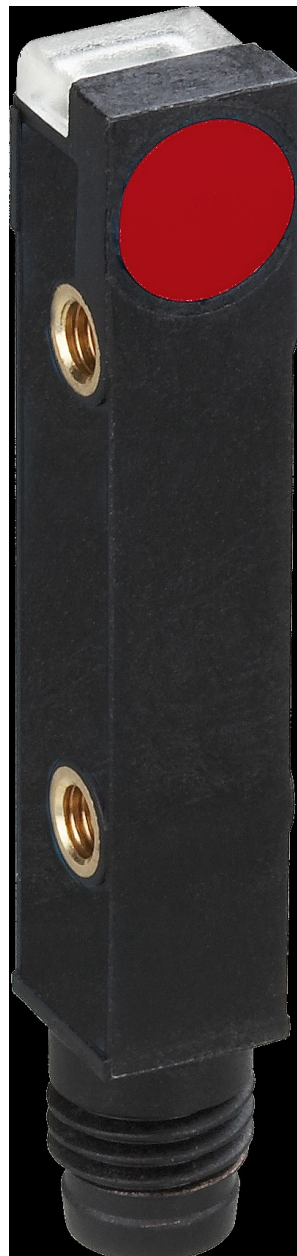


**Datasheet**

# RS PRO INDUCTIVE PROXIMITY SENSORS

Stock No: 2066168





## Detailed technical data

### Features

Housing	Rectangular
Dimensions (W x H x D)	8 mm x 40 mm x 8 mm
Sensing range $S_n$	2 mm
Safe sensing range $S_a$	1.62 mm
Installation type	Flush
Switching frequency	2,000 Hz
Connection type	Connector M8, 3-pin
Switching output	PNP
Output function	NO
Electrical wiring	DC 3-wire
Enclosure rating	IP67, IP68 1)

1) According to EN 60529.

### Mechanics/electronics

Supply voltage	10 V DC ... 30 V DC
Ripple	$\leq 10\%$ 1)
Voltage drop	$\leq 2\text{ V}$ 2)
Current consumption	10 mA 3)
Time delay before availability	$\leq 100\text{ ms}$
Hysteresis	5 % ... 15 %
Reproducibility	$\leq 2\%$ 4)
Temperature drift (of $S_r$ )	$\pm 10\%$
EMC	According to EN 60947-5-2
Continuous current $I_a$	$\leq 200\text{ mA}$

Short-circuit protection	✓
Reverse polarity protection	✓
Power-up pulse protection	✓
Shock and vibration resistance	30 g, 11 ms / 10 ... 55 Hz, 1 mm
Ambient operating temperature	-25 °C ... +75 °C
Housing material	Plastic, VISTAL®
Sensing face material	Plastic, VISTAL®
Tightening torque, max.	≤ 1.5 Nm
UL File No.	NRKH.E348498

1) Of  $V_s$ .

2) At  $I_a$  max.

3) Without load.

4)  $U_b$  and  $T_a$  constant.

### Safety-related parameters

MTTF <sub>D</sub>	1,775 years
DC <sub>avg</sub>	0%

### Reduction factors

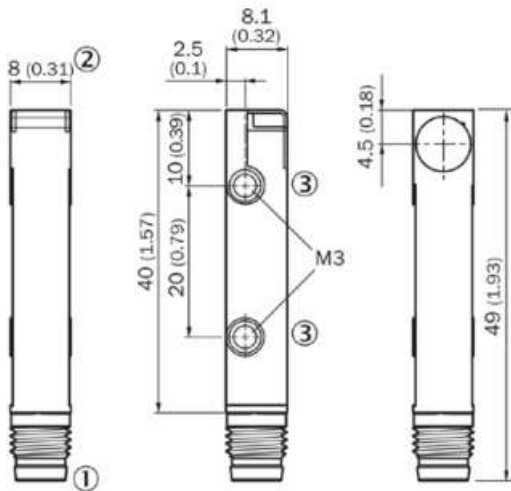
Note	The values are reference values which may vary
Stainless steel (V2A, 304)	Approx. 0.7
Aluminum (Al)	Approx. 0.3
Copper (Cu)	Approx. 0.2
Brass (Br)	Approx. 0.3

### Installation note

Remark	Associated graphic see "Installation"
A	0 mm
B	10 mm
C	8 mm
D	6 mm
E	0 mm
F	16 mm
G	0 mm

## Dimensional drawing (Dimensions in mm (inch))

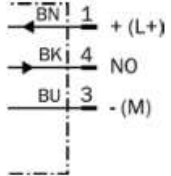
IQ08, connector



- 1 Connection
- 2 LED indicator 270°
- 3 Threaded mounting hole M3

## Connection diagram

Cd-002



## Instruction for installation

