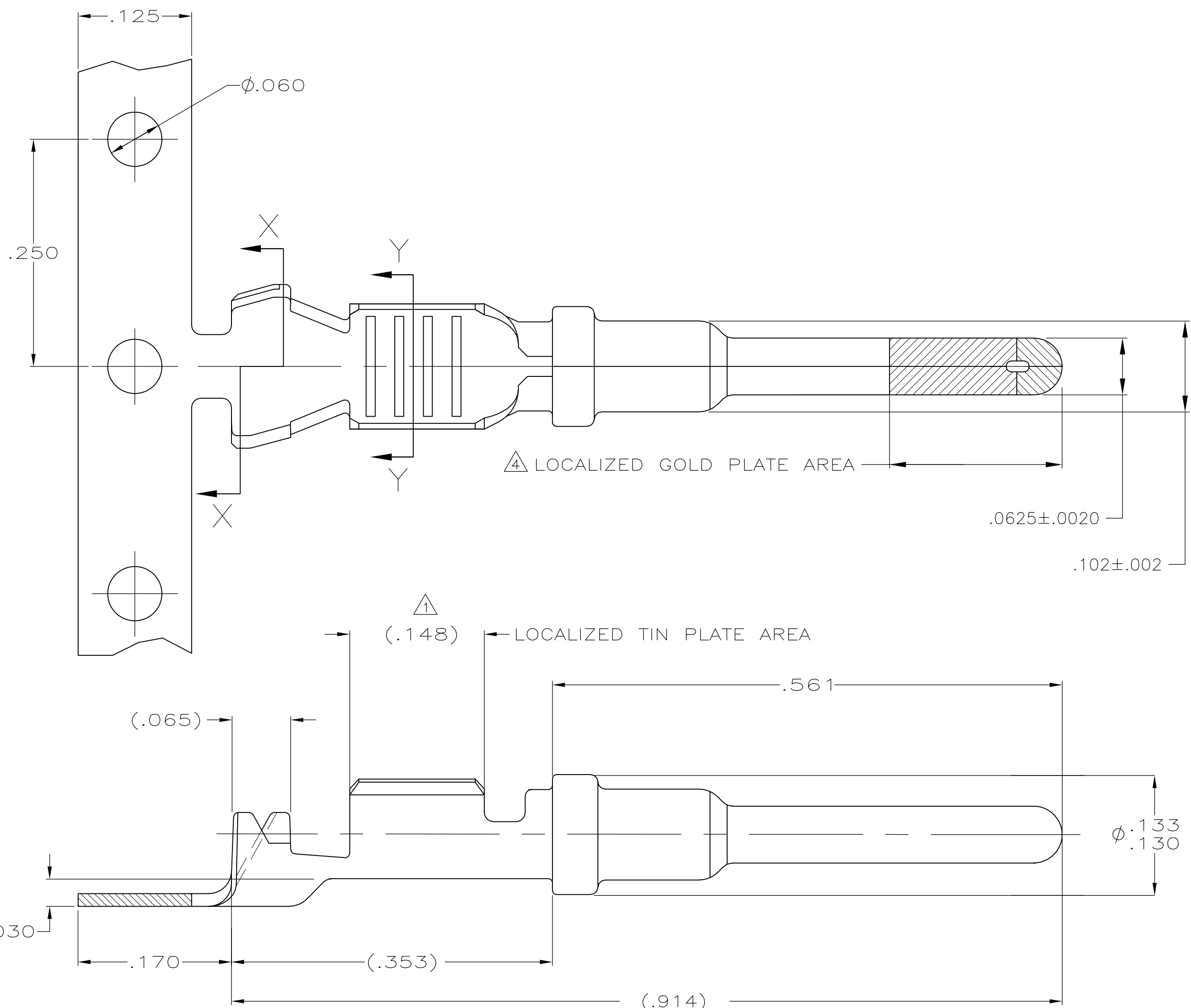
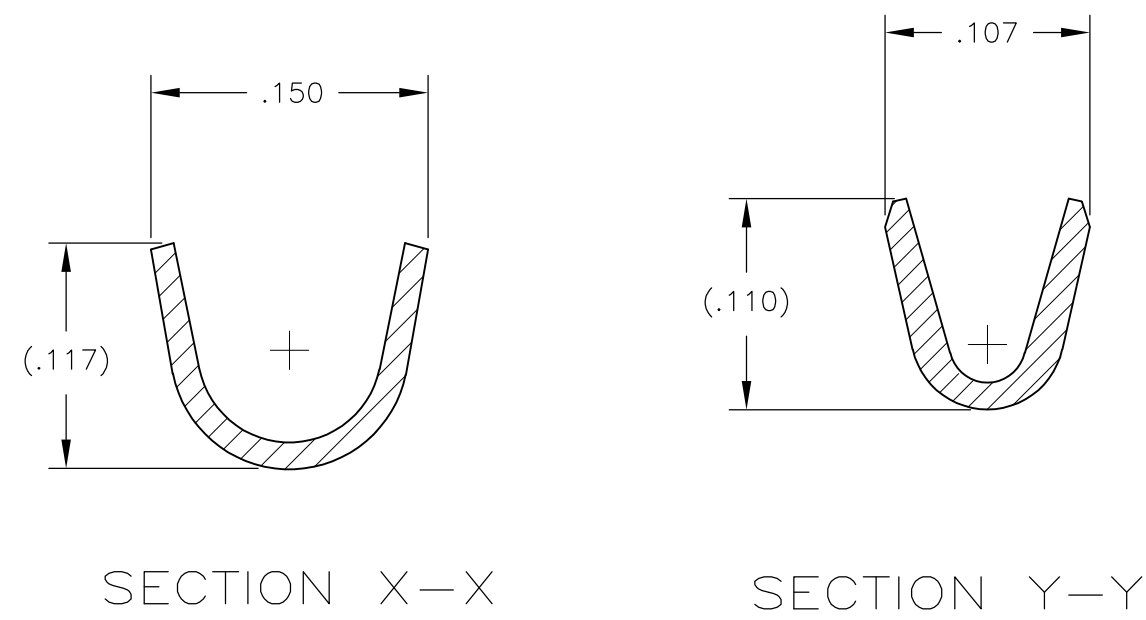


THIS DRAWING IS UNPUBLISHED. RELEASED FOR PUBLICATION  
 © COPYRIGHT - By - ALL RIGHTS RESERVED.

LOC	DIST	REVISIONS					
GE	00	P	LTR	DESCRIPTION	DATE	DWN	APVD
		B1		REVISED PER ECO-11-005030	11MAR11	RK	HMR



- △ FINISH : PLATE 0.000100-0.000200 THK TIN IN LOCALIZED TIN PLATE AREA, ALL OVER 0.000040-0.000080 THK NICKEL.
- 2. CONTACT WILL BE LUBED WITH LUBRICANT PER TE CONNECTIVITY P/N 22014-4.
- 3. WIRE RANGE: 20-18 AWG WITH INSULATION DIAMETERS OF 0.050 - 0.107 INCHES.
- △ PLATE 0.000030 MIN THK SELECT GOLD IN LOCALIZED PLATE AREA.



△ 1	1924463-3
△ 1 △ 4	1924463-1
FINISH	PART NUMBER

THIS DRAWING IS A CONTROLLED DOCUMENT.		DWN DL DRUMMOND 27AUG2007	<b>STE</b> TE Connectivity	
DIMENSIONS: INCHES		CHK MP TRULL 27AUG2007		
TOLERANCES UNLESS OTHERWISE SPECIFIED:		APVD MP TRULL 27AUG2007	NAME	
0 PLC ± -		PRODUCT SPEC	PIN CONTACT	
1 PLC ± -		APPLICATION SPEC	SIZE CAGE CODE DRAWING NO RESTRICTED TO	
2 PLC ± .02		WEIGHT -	A2 00779 C=1924463 -	
3 PLC ± .005		CUSTOMER DRAWING	SCALE 10:1 SHEET 1 of 1 REV B1	
4 PLC ± -				
ANGLES ± -				
FINISH -				
MATERIAL 0.014THK CU ALLOY				