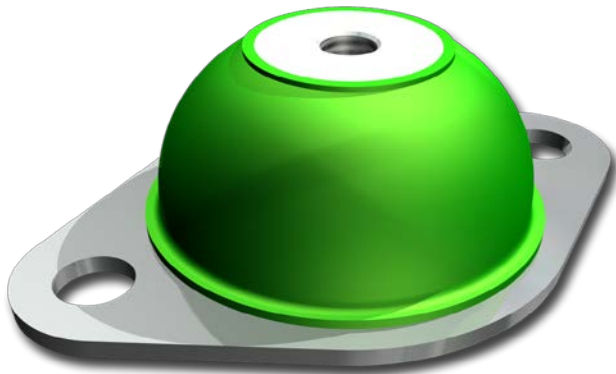


## Light Duty Mounts - Type SEM



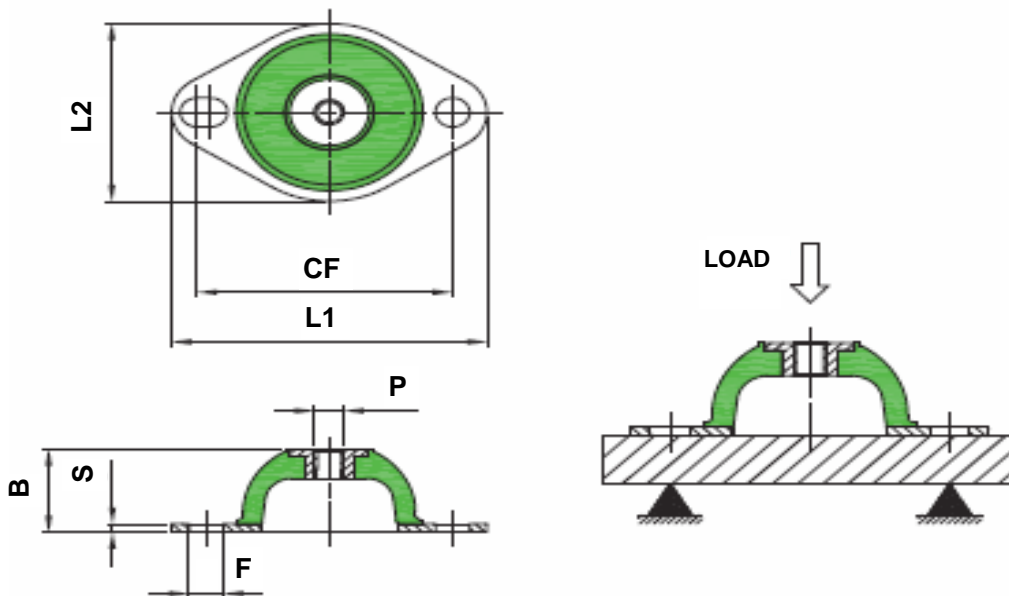
### Applications

- Instruments
- Measuring Equipment
- Small Machinery
- Electric Engines
- Pumps
- Radiators

The SEM range of Mounts are low frequency elastomeric noise and vibration isolators for industrial equipment and machinery.

They are normally used to insulate the transmission of noise and vibration in vertically applied loads.

Their applications can include Generators, Blowers, Pumps, Road Machines or any equipment that by design is unbalanced. They can also be used for isolating instrumentation in mobile, military or road applications.



RS Ref:	Fibet Ref:	Hardness (IRHD)	B (mm)	L1 (mm)	L2 (mm)	P (mm)	CF (mm)	F (xM) (mm)	S (mm)	Average Stiffness (daN/mm)	Maximum Load (daN)	Maximum Deflection (mm)
201-2355	SEM6420W	45	20	64	43	M6	50	7	2	1.5	4.5	3.0
201-2356	SEM6420M	60	20	64	43	M6	50	7	2	3.0	9.0	3.0
720-3401	SEM-8525W	45	25	88	59	M8	65-73	8 x 12	2.5	4.0	26.5	7.5
720-3405	SEM-8525M	60	25	88	59	M8	65-73	8 x 12	2.5	6.0	43.0	7.5
720-3414	SEM-8525H	70	25	88	59	M8	65-73	8 x 12	2.5	10.0	75.0	7.5
720-3417	SEM-8525/1W	45	25	88	59	M10	65-73	8 x 12	2.5	4.0	26.5	7.5
720-3411	SEM-8525/1M	60	25	88	59	M10	65-73	8 x 12	2.5	6.0	43.0	7.5
720-3420	SEM-8525/1H	70	25	88	59	M10	65-73	8 x 12	2.5	10.0	75.0	7.5
201-2354	SEM-11435M	60	35	115	76	M10	92	10	2	11.0	60.0	5.6