

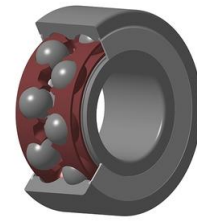


Brand of NTN corporation

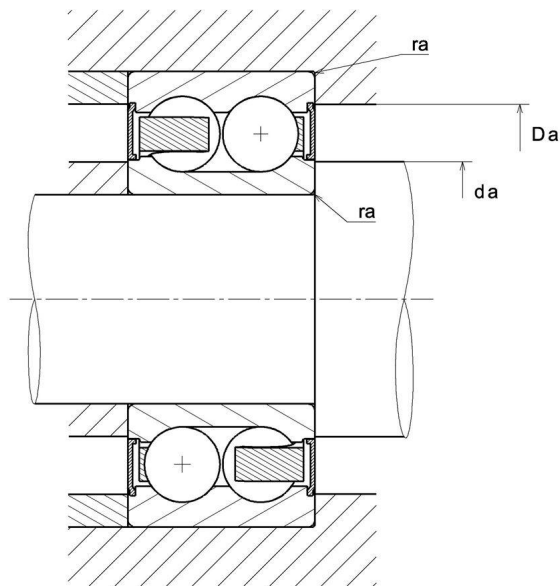
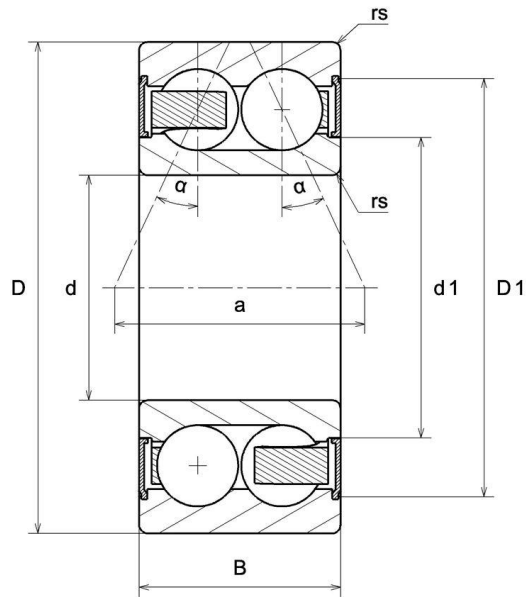
Technical data

5203ZZG15

Double row angular contact ball bearings



VISUAL (S)



NTN Europe

1 rue des Usines · BP 2017 · 74010 Annecy Cedex · France · Tel. +33 (0)4 50 65 30 00
S.A. au capital de 322 639 919 € · RCS ANNECY B 325 821 072 · Id. Fiscale : FR 48 325 821 072
SIRET 325 821 072 00015 · Code APE 2815 Z · Code NACE 28.15

5203ZZG15

Double row angular contact ball bearings

PRODUCT DEFINITION

Brand	SNR
d - Internal diameter	17 mm
D - External diameter	40 mm
B - Bearing/Inner ring width	17,5 mm
d1 - External diameter inner ring	24 mm
D1 - Inner diameter outer ring	34,9 mm
a - Charge load application point	20,4 mm
- Contact angle	25 °
rs - Min fillet radius	0,6 mm
Radial clearance class	CN
Precision class	P0
Mass	0,085 kg

PRODUCT PERFORMANCE

C - Dynamic load	14200000 mN
C0 - Static load	9000000 mN
Cu - Fatigue limit load	590000 mN
f0 - Coefficient	13.6
N ref - Reference thermal speed	78000 °/s
N lim - Mechanical Limit Speed	84000 °/s
Tmin - Min operating temperature	253,15 °K
Tmax - Max operating temperature	393,15 °K

BEARING FREQUENCIES

BPFO - Over rolling frequency on outer ring (60 rpm)	3.142 Hz
---	----------



NTN Europe

1 rue des Usines · BP 2017 · 74010 Annecy Cedex · France · Tel. +33 (0)4 50 65 30 00
S.A. au capital de 322 639 919 € · RCS ANNECY B 325 821 072 · Id. Fiscale : FR 48 325 821 072
SIRET 325 821 072 00015 · Code APE 2815 Z · Code NACE 28.15

5203ZZG15

Double row angular contact ball bearings

BEARING FREQUENCIES

BPFI - Over rolling frequency on inner (60 rpm)	4.858 Hz
BSF - Over rolling frequency on rolling element (60 rpm)	4.03 Hz
BRF - Rotational frequency - rolling element (60 rpm)	2.015 Hz
FTF - Rotational frequency - cage (60 rpm)	0.393 Hz

ABUTMENT

da min - Min shoulder diameter IR	21 mm
da max - Max shoulder diameter IR	24 mm
Da max - Max shoulder diameter OR	36 mm
ra max - Max shaft & housing fillet radius	0,6 mm



NTN Europe

1 rue des Usines · BP 2017 · 74010 Annecy Cedex · France · Tel. +33 (0)4 50 65 30 00
S.A. au capital de 322 639 919 € · RCS ANNECY B 325 821 072 · Id. Fiscale : FR 48 325 821 072
SIRET 325 821 072 00015 · Code APE 2815 Z · Code NACE 28.15