

# Plug-in sockets and accessories

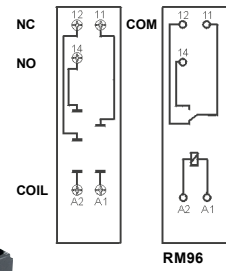
## ES 32

For RM96 1 CO

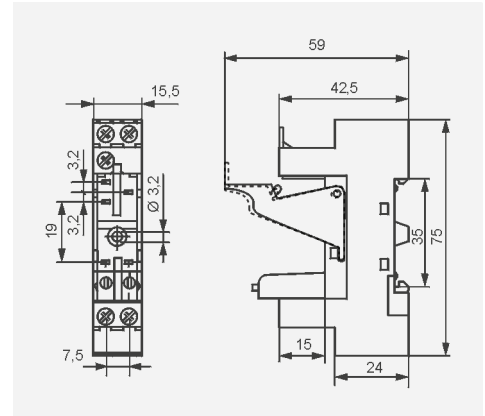
Screw terminals  
Max. tightening moment for the terminal: 0,7 Nm  
35 mm rail mount acc. to PN-EN 60715 or on panel mounting  
75 x 15,5 x 42,5(59) mm ②  
One pole, 3,2 mm pinout  
12 A, 300 V AC



### Connection diagrams



### Dimensions



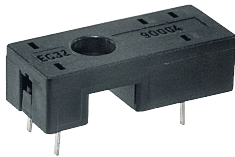
### Accessories ①

ZGGZ80 GZM80-0041

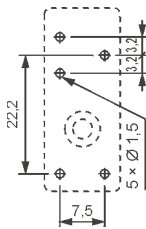
## EC 32

For PCB

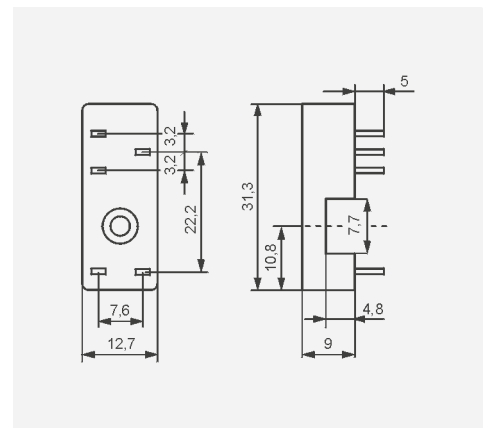
31 x 12,7 x 9 mm  
One pole, 3,2 mm pinout  
12 A, 300 V AC



### Pinout



### Dimensions

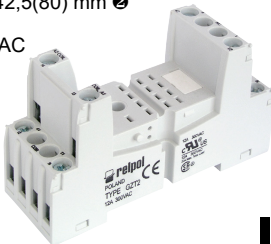


### Accessories

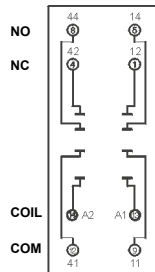
## GZT2

For R2N

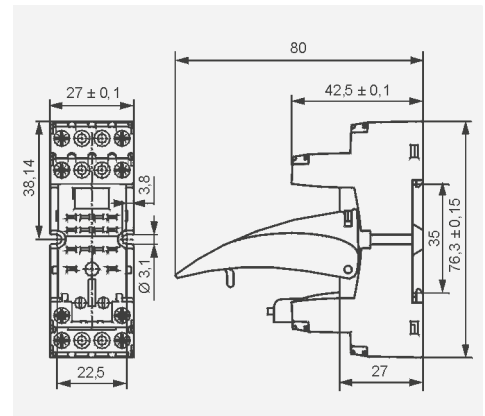
Screw terminals  
Max. tightening moment for the terminal: 0,7 Nm  
35 mm rail mount acc. to PN-EN 60715 or on panel mounting  
76,3 x 27 x 42,5(80) mm ②  
Two poles  
12 A, 300 V AC



### Connection diagram



### Dimensions



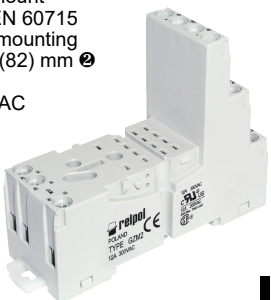
### Accessories ①

GZT4-0035 Module type M...

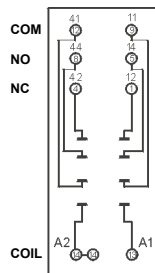
## GZM2

For R2N

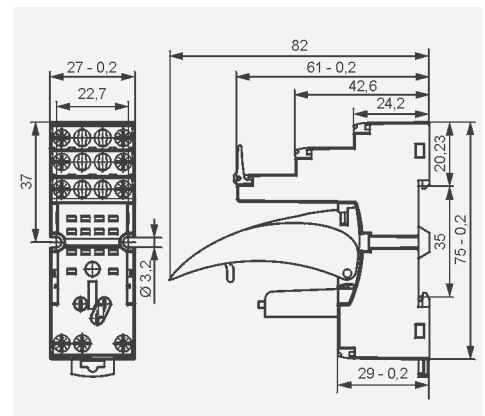
Screw terminals  
Max. tightening moment for the terminal: 0,7 Nm  
35 mm rail mount acc. to PN-EN 60715 or on panel mounting  
75 x 27 x 61(82) mm ②  
Two poles  
12 A, 300 V AC



### Connection diagram



### Dimensions



### Accessories ①

GZT4-0035 Module type M...

① Mounting and sub-assemblies of accessories in the socket - see page 16. Signalling / protecting modules type M... - see page 17.  
② In the bracket the height of socket with retainer / retractor clip is shown.