



Product Datasheet

ENGLISH

# Capacitive Sensor



**Stock No.**

**8967223**

**8967235**

**8967248**

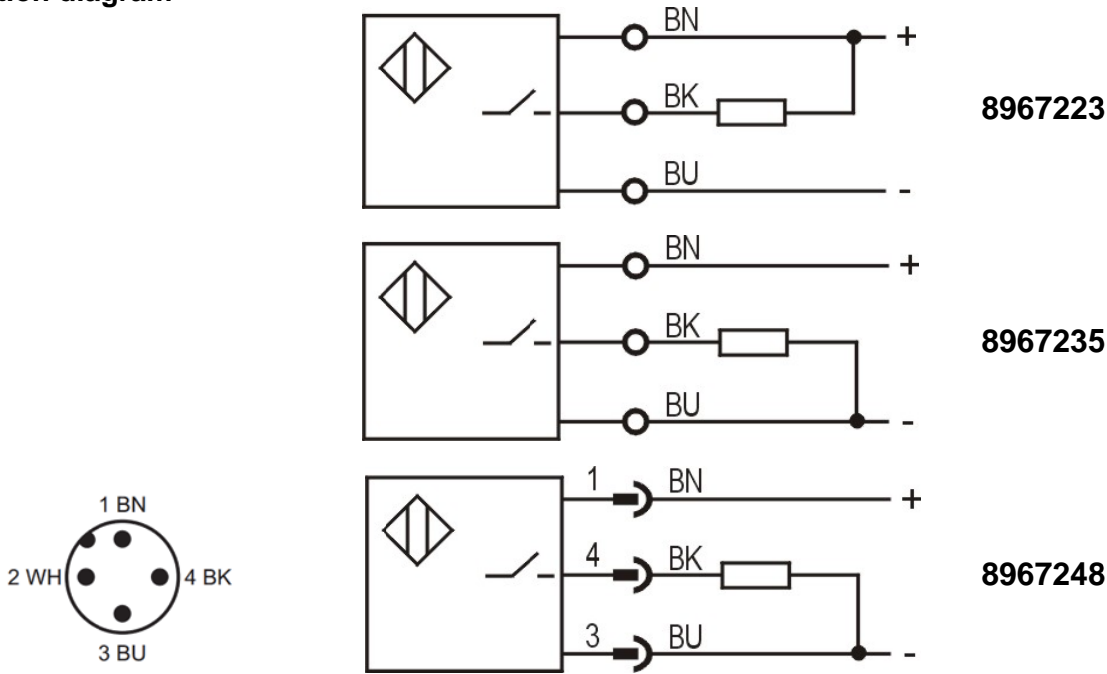
## Feature Description

- ◆ Wide range of detecting object: metal, plastic, liquid
- ◆ Surge, overloaded, short-circuit, reverse polarity protection
- ◆ Housing material : PBT
- ◆ Protection degree : IP67 ( IEC )

**Features**

Mounting	Non-flush		
Sensing range Sn	8mm (adjustable)		
Setting distance	0...6.4mm		
Housing Size	M18*78	M18 *78	M18*91.5
Thread size	M18*1*46.5		
Output	NPN NO	PNP NO	PNP NO
Power supply	10...30V DC		
Standard target	Fe 24*24*1t		
Temperature drifts	≤±20%		
Hysteresis	3...20%		
Repeat accuracy	≤3%		
Load current	≤200mA		
Residual voltage	≤2.5V DC		
Consumption current	≤15mA		
Protection circuit	Surge, overloaded, short-circuit, reverse polarity protection		
Indicator	Yellow LED		
Ambient temperature	-25...70°C		
Ambient RH	35-95%RH		
Frequency	50Hz		
Dielectric strength	1000V/AC 50/60Hz 60s		
Insulation resistance	≥50MΩ (500VDC)		
Anti-vibration	1.5mm amplitude at 10 to 55Hz for 2hours each in x, y, z D-D		
Protection degree	IP67		
Housing material	PBT		
Connection	PVC Cable 2m	PVC Cable 2m	M12 Connector

Connection diagram



Note: Customize for cable length, housing material and shape.

Dimension (mm)

