



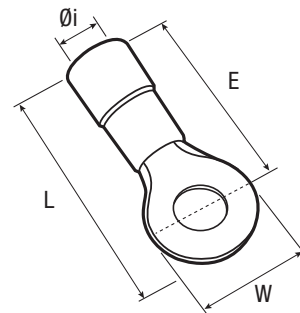
Preinsulated Ring Terminals

General features

- ✓ Tin-plated copper.
- ✓ Barrel with funnel entry.
- ✓ Grooves in the barrel for a better electrical contact and a better tensile strength.

"N" single crimp series:

- ✓ Polyamide insulation sleeve.
- ✓ Max. operating temperature: +105°C.
- ✓ "Easy entry" conical entry.
- ✓ Flammability rating: UL94V2.



	Bulk packing		x100 /Box		Ø mm	Ø mm	W	Ø i	E	L
	Item code	Part No.	Item code	Part No.						
● 0.34 - 1.5	7210000	NA3	7210003	B100NA3	3.6	3	5.6	1.7	14.5	17.3
	7210001	NA3,5	7210002	B100NA3,5	3.6	3.5	5.6	1.7	14.5	17.3
	7210026	NA0-3	7210027	B100NA0-3	3.6	3	7	1.7	17	20.5
	7210030	NA0-4	7210029	B100NA0-4	3.6	4	7	1.7	17	20.5
	7210043	NA0-5	7210044	B100NA0-5	3.6	5	7	1.7	17	20.5
	7210021	NA1-3	7210022	B100NA1-3	3.6	3	8	1.7	17	21
	7210024	NA1-3,5	7210025	B100NA1-3,5	3.6	3.5	8	1.7	17	21
	7210031	NA1-4	7210032	B100NA1-4	3.6	4	8	1.7	17	21
	7210041	NA1-5	7210042	B100NA1-5	3.6	5	8	1.7	17	21
	7210061	NA2-5	7210062	B100NA2-5	3.6	5	12.5	1.7	20.7	27
	7210071	NA2-6	7210072	B100NA2-6	3.6	6	12.5	1.7	20.7	27
	7210081	NA2-8	7210082	B100NA2-8	3.6	8	12.5	1.7	20.7	27
	7210083	NA2-10	7210084	B100NA2-10	4	10	13.6	1.7	23.5	30.3
	● 1 - 2.5	7210090	NB3	7210095	B100NB3	4.3	3	5.6	2.4	14.2
7210088		NB3.5	7210087	B100NB3.5	4.3	3.5	5.6	2.4	14.2	17
7210096		NB0-4	7210098	B100NB0-4	4.3	4	8	2.4	17	21
7210097		NB0-5	7210099	B100NB0-5	4.3	5	8	2.4	17	21
7210091		NB1-3	7210092	B100NB1-3	4.3	3	8.6	2.4	16.7	21
7210101		NB1-4	7210102	B100NB1-4	4.3	4	8.6	2.4	16.7	21
7210111		NB1-5	7210112	B100NB1-5	4.3	5	8.6	2.4	16.7	21
7210121		NB1-6	7210122	B100NB1-6	4.3	6	8.6	2.4	16.7	21.3
7210141		NB2-5	7210142	B100NB2-5	4.3	5	12.5	2.4	20.7	27
7210151		NB2-6	7210152	B100NB2-6	4.3	6	12.5	2.4	20.7	27
7210161		NB2-8	7210162	B100NB2-8	4.3	8	12.5	2.4	20.7	27
7210163		NB2-10	7210164	B100NB2-10	4.8	10	13.6	2.4	20.7	30.3
● 2.6 - 6	7210171	NC1-3	7210173	B100NC1-3	6.4	3	9.6	3.3	22.2	27
	7210181	NC1-4	7210180	B100NC1-4	6.4	4	9.6	3.3	22.2	27
	7210191	NC1-5	7210190	B100NC1-5	6.4	5	9.6	3.3	22.2	27
	7210201	NC1-6	7210200	B100NC1-6	6.4	6	9.6	3.3	22.2	27
	7210215	NC2-5	7210219	B100NC2-5	6.4	5	13.8	3.3	25.1	32
	7210211	NC2-6	7210210	B100NC2-6	6.4	6	13.8	3.3	25.1	32
	7210221	NC2-8	7210220	B100NC2-8	6.4	8	13.8	3.3	25.1	32
	7210231	NC2-10	7210236	B100NC2-10	6.4	10	13.8	3.3	25.1	32
7210234	NC2-12	7210237	B100NC2-12	6.4	12	19.5	3.3	30	40	

Conductor size (mm²)

Packing

Cable insulation max Ø

Stud size

Unless otherwise stated, all dimensions are in millimeters.