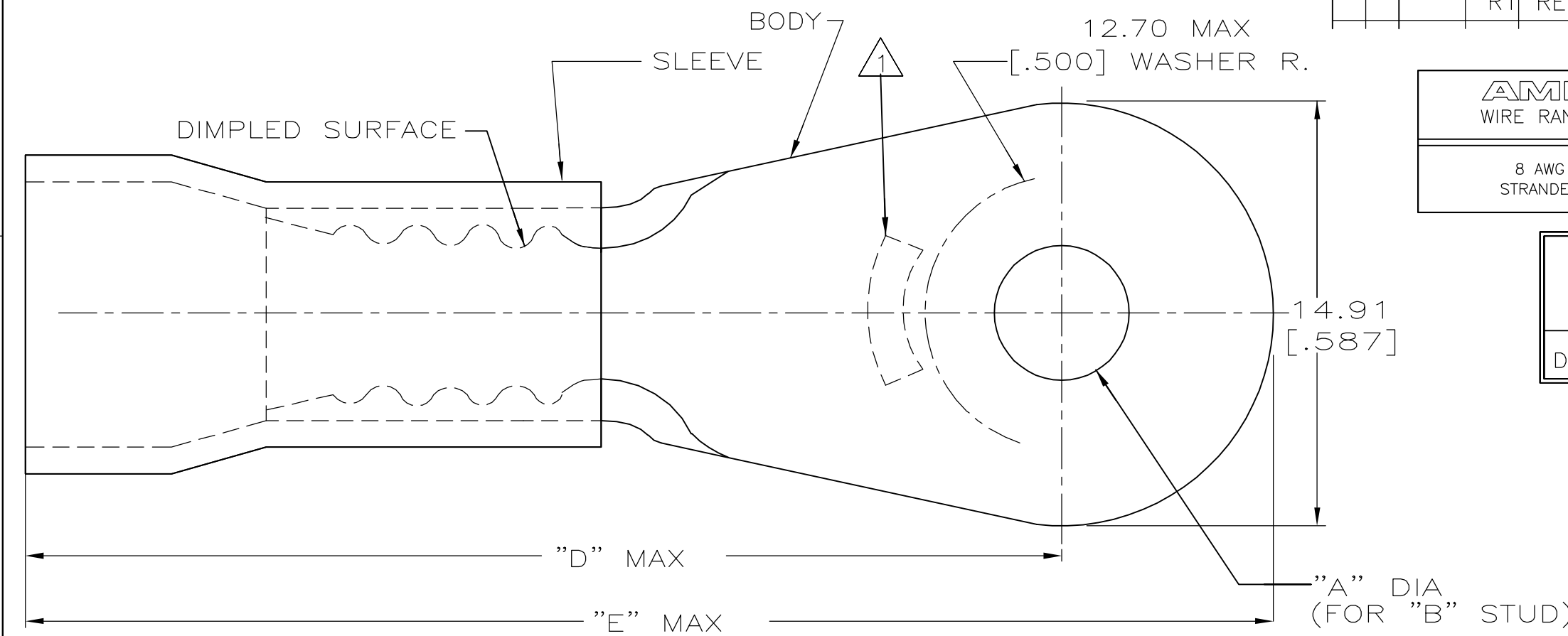


THIS DRAWING IS UNPUBLISHED. RELEASED FOR PUBLICATION ,19 .  
 © COPYRIGHT 19 BY AMP INCORPORATED. ALL INTERNATIONAL RIGHTS RESERVED.

LOC G DIST 14 P F

REVISIONS				
ZONE	LTR	DESCRIPTION	DATE	APPD
	R1	REV PER ECR 06-008807	24APR06	BB



<b>AMP</b> WIRE RANGE	<b>FILE</b> E13288	<b>LR7189</b> Certified
8 AWG STRANDED	8 AWG STRANDED	8 AWG STRANDED

**METRIC**  
 DIMENSIONS LISTED IN mm [ INCHES ]

- NOTE:
- 1 STAMP AMP 8\* LOCATE APPROX AS SHOWN
  - 2. TONGUE MATERIAL THK 1.02±0.08 [.040±.003]
  - 3. SEE TABLE FOR WIRE INSULATION DIA MAX
  - 4 SUPERSEDED BY 52291
  - 5. TAPE ITEMS ARE ON 30.48 [1.200] CENTERS
  - 6 SUPERSEDED BY 52291-1

"E"	"D"	WIRE INSULATION DIA	"B"	"A"	QTY	PACKAGE TYPE	PART NO
43.08 [1.696]	35.56 [1.400]	9.14 [.360]	3/8	9.91±0.13 [.390±.005]	25	LOOSE PC, BOX SPL	9-52291-5
			5/16	8.33±0.13 [.328±.005]			8-52291-5
43.59 [1.716]	36.07 [1.420]	8.38 [.330]	3/8	9.91±0.13 [.390±.005]	500	ON TAPE	52291-5
			5/16	8.33±0.13 [.328±.005]			52291-4
43.08 [1.696]	35.56 [1.400]	9.14 [.360]	3/8	9.91±0.13 [.390±.005]	100	LOOSE PC	52291-3 6
			5/16	8.33±0.13 [.328±.005]			52291-2 4
							52291-1
							52291

<b>AMP INCORPORATED</b> CUSTOMER SERVICE SYSTEMS		MAX RECOMMENDED OPERATING TEMPERATURE: 90° C	DO NOT SCALE PRINT. UNLESS SPECIFIED DIMENSIONS IN mm [INCHES] TOLERANCES ON: 2 PLC DEC ± 0.20[.008] 3 PLC DEC ± - ANGLES ± -	DR 9-29-93 S.S. GOULDEN	<b>AMP</b> AMP Incorporated Harrisburg, PA 17105-3608
FOR ADDITIONAL PRODUCT INFORMATION OR COPIES OF DRAWINGS AND TECHNICAL DOCUMENTS	PRODUCT INFORMATION CENTER 1-800-522-6752	VOLTAGE RATING: 600 V MAX	MATERIAL COPPER PER ASTM B-152 PVC, COLOR:RED	CHK 9-29-93 R. HERSEY	
FOR APPLICATION TOOLING INFORMATION	TOOLING ASSISTANCE CENTER 1-800-722-1111	CIRCULAR MIL AREA: 6.64-10.54mm <sup>2</sup> [13,100-20,800] STRANDED	FINISH TIN PLATE PER MIL-T-10727	APPD 9-29-93 B. BARE	NAME TERMINAL, RING TONGUE, PLASTI-GRIP, WIRE SIZE:8 AWG
FOR ORDER ENTRY	1-800-526-5142	THIS DRAWING IS A CONTROLLED DOCUMENT FOR AMP INCORPORATED. IT IS SUBJECT TO CHANGE AND THE CONTROLLING ENGINEERING ORGANIZATION SHOULD BE CONTACTED FOR THE LATEST REVISION.		APPD 9-29-93 M. ELLIS	SIZE <b>B</b> CAGE CODE 00779 DRAWING NO <b>C-52291</b>
				PRODUCT SPEC NOT AVAILABLE	SCALE NTS SHEET 1 OF 1
				APPLICATION SPEC NOT AVAILABLE	
				WEIGHT -	