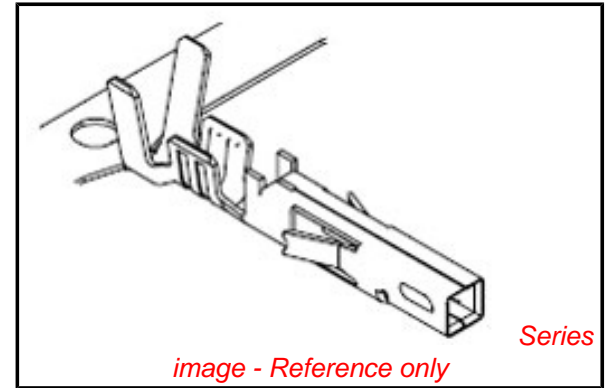


PLEASE CHECK WWW.MOLEX.COM FOR LATEST PART INFORMATION

Part Number: [46018-3541](#)
Status: **Active**
Overview: Mini-Fit® Plus Connector System
Description: Mini-Fit® Plus High Mating Cycle Female Crimp Terminal, 16 AWG, Reel, Select Gold (Au) Plating with Proprietary Molex Advanced Contact Surface Finish (CSF) in Contact Area

Documents:

Drawing (PDF)	Test Summary TS-46018-001 (PDF)
Packaging Specification PK-46018-001 (PDF)	RoHS Certificate of Compliance (PDF)



General

Product Family	Crimp Terminals
Series	46018
Application	Power
Comments	High Mating Cycles
Crimp Quality Equipment	Yes
Overview	<u>Mini-Fit® Plus Connector System</u>
Packaging Alternative	46018-3542 (Loose)
Product Name	Mini-Fit® Plus
UPC	822350560498

Physical

Gender	Female
Material - Metal	Copper Alloy
Material - Plating Mating	Gold
Material - Plating Termination	Tin
Net Weight	0.150/g
Packaging Type	Reel
Plating min - Mating	0.051µm
Plating min - Termination	2.540µm
Termination Interface: Style	Crimp or Compression
Wire Insulation Diameter	2.20-3.15mm
Wire Size AWG	16
Wire Size mm²	N/A

Electrical

Current - Maximum per Contact	13A
Voltage - Maximum	600V

Material Info

Reference - Drawing Numbers

Packaging Specification	PK-46018-001
Sales Drawing	SD-46018-001
Test Summary	TS-46018-001

EU RoHS

**ELV and RoHS
Compliant**
REACH SVHC
Contains SVHC: No
Low-Halogen Status
Low-Halogen

China RoHS



Need more information on product environmental compliance?

Email productcompliance@molex.com
 For a multiple part number RoHS Certificate of Compliance, [click here](#)

Please visit the [Contact Us](#) section for any non-product compliance questions.

Search Parts in this Series

46018Series

Use With

5557 Mini-Fit Jr.™ Receptacles, 30067 Mini-Fit® TPA Receptacles, 42474 Mini-Fit® BMI Panel Mount Receptacles, 44516 Mini-Fit® BMI Panel Mount Slide-N-Lock Receptacles

Application Tooling | FAQ

Tooling specifications and manuals are found by selecting the products below. Crimp Height Specifications are then contained in the Application Tooling Specification document.

Global

Description	Product #
Hand Crimp Tool for Male and Female Crimp Terminals, 16-24 AWG Wire	0638190900
T2 Terminator™ for insulation OD 2.60-3.15mm	0639102800

optimized for 16 AWG only FineAdjust™ Applicator for Insulation OD 2.60-3.15mm	<u>0639002800</u>
Optimized for 16 AWG Only FineAdjust™ Applicator for Insulation OD 2.20-2.45mm	<u>0639003000</u>
Optimized for 16 AWG Only T2 Terminator™ for insulation OD 2.20-2.45mm	<u>0639103000</u>
optimized for 16 AWG only FineAdjust™ Applicator for Insulation OD 1.80-2.20mm	<u>0639015300</u>
Optimized for 16 AWG Only Extraction Tool	<u>0011030044</u>

This document was generated on 10/13/2014

PLEASE CHECK WWW.MOLEX.COM FOR LATEST PART INFORMATION