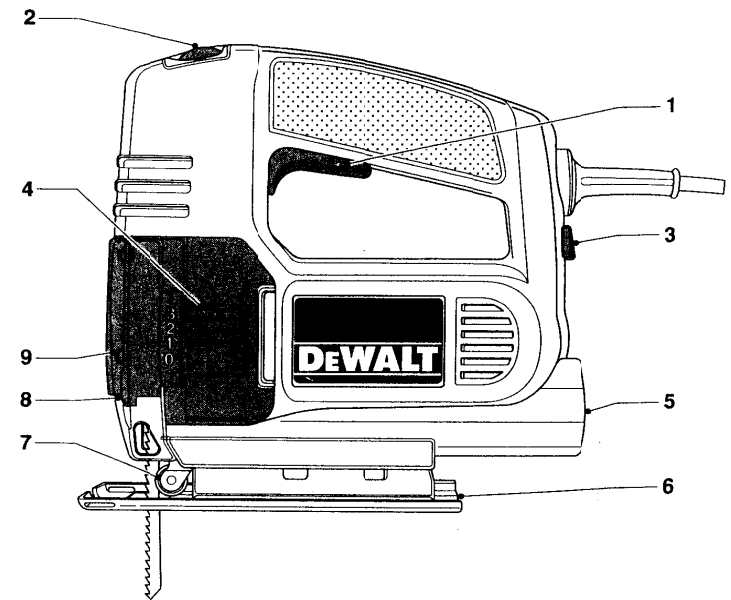
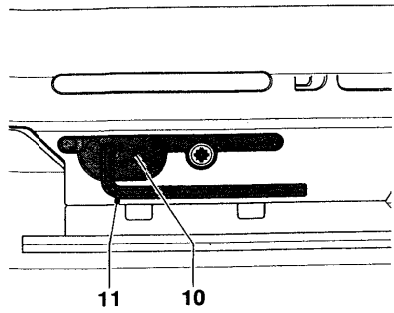

DEWALT®

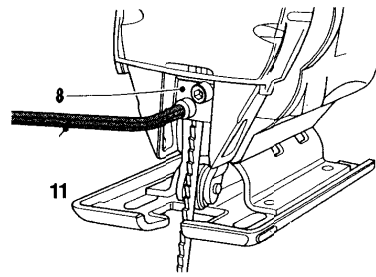


DW320K

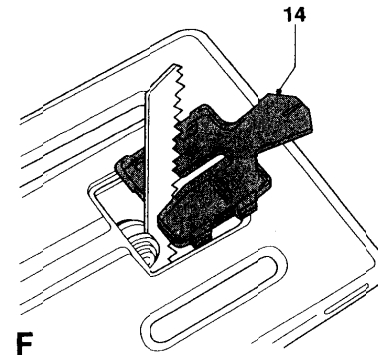
A



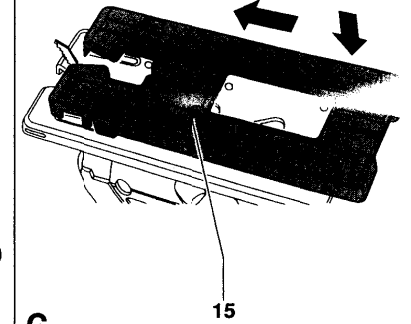
B



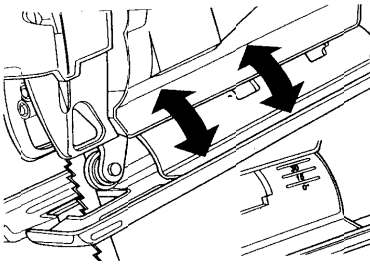
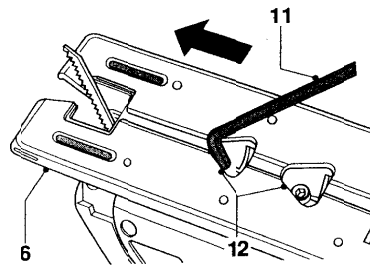
C



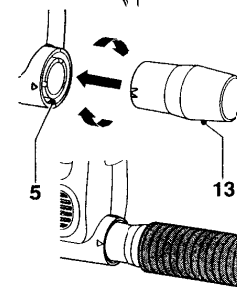
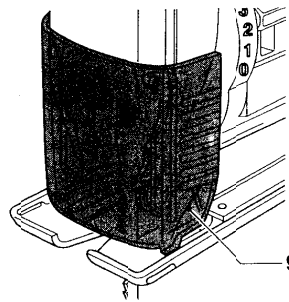
F



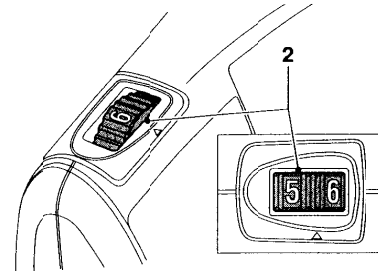
G



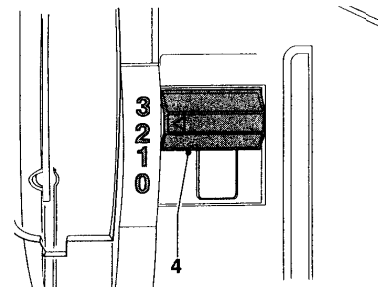
D



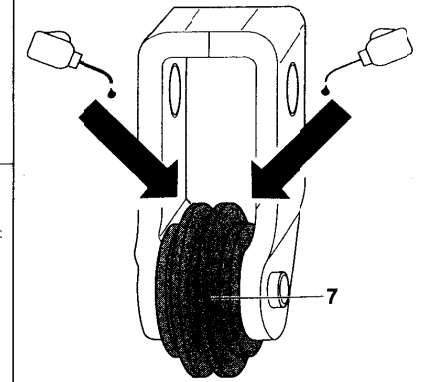
E



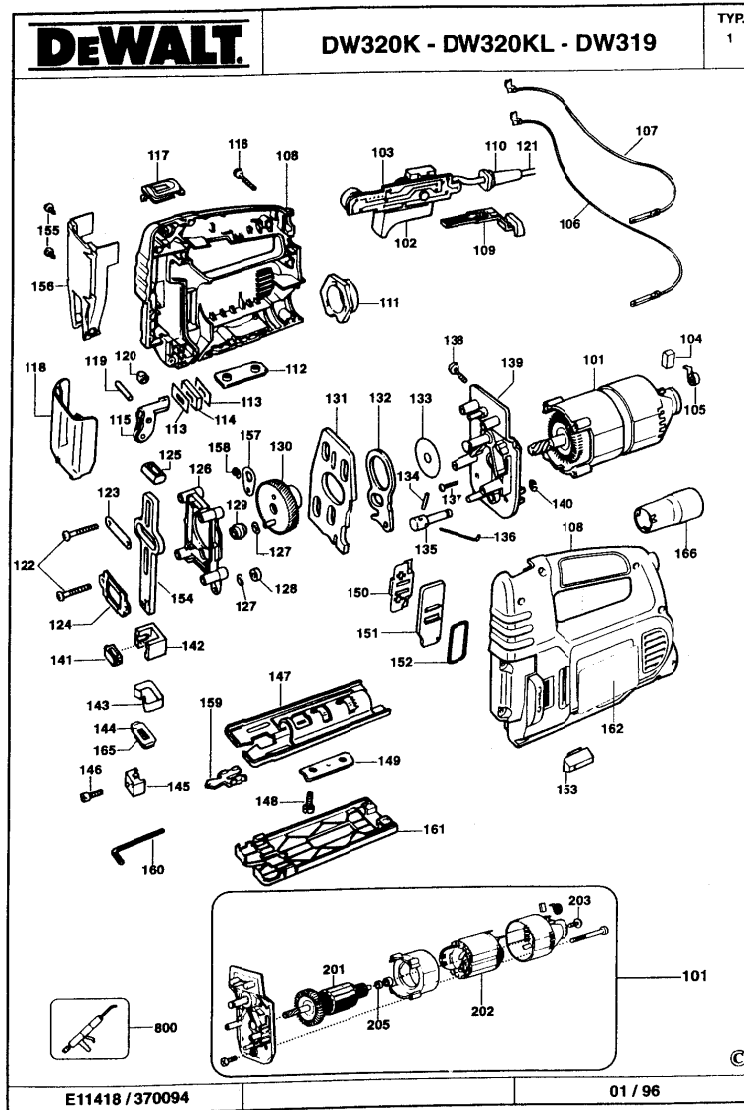
H



I



J



JIGSAW DW320K

Congratulations!

You have chosen a DeWALT Power Tool. Years of experience, thorough product development and innovation make DeWALT one of the most reliable partners for professional Power Tool users.



Denotes risk of electric shock.

Declaration of conformity



DW320K

DeWALT declares that these Power Tools have been designed in compliance with: 89/392/EEC, 89/336/EEC, 73/23/EEC, EN 50144, EN 55014.

Level of sound pressure according to 86/188/EEC & 89/392/EEC, measured according to EN 50144:

	DW320K
L_{pA} (sound pressure) dB(A)*	96.0
L_{WA} (acoustic power) dB(A)	109.0

* at the operator's ear



Take appropriate measures for the protection of hearing if the sound pressure of 85 dB(A) is exceeded.

Radio and TV suppression in compliance with 76/889/EEC & 82/499/EEC.

Weighted root mean square acceleration value according to EN 50144:

	DW320K
	< 2.5 m/s^2

European Director
Product Planning & Development
David Wilson

Table of contents

Technical data	en - 1
Declaration of conformity	en - 1
Safety instructions	en - 2
Package contents	en - 3
Description	en - 3
Electrical safety	en - 3
Mains plug replacement (U.K. & Ireland only)	en - 3
Using an extension cable	en - 3
Assembly and adjustment	en - 4
Instructions for use	en - 5
Maintenance	en - 6
Guarantee	en - 6

Technical data

	DW320K	
Voltage	V	230
(U.K. & Ireland only)	V	240/115
Power input	W	500
No load speed	min ⁻¹	800 - 3,200
Stroke length	mm	20
Cutting depth in:		
- wood	mm	85
- aluminium	mm	18
- steel	mm	8
Mitre angle range left and right)		0 - 45°
Weight	kg	2.6

Fuses:

Europe	230 V tools	10 Amperes, mains
U.K. & Ireland	240 V tools	13 Amperes, n plugs
	115 V tools (< 1500 V)	16 Amperes, mains

The following symbols are used throughout this manual:



Denotes risk of personal injury, loss of life or damage to the tool in case of non-observance of the instructions in this manual.

DeWALT, Idstein, Germany

Safety Instructions

When using Power Tools, always observe the safety regulations applicable in your country to reduce the risk of fire, electric shock and personal injury. Read the following safety instructions before attempting to operate this product.

Keep these instructions in a safe place!

1 Keep work area clean

Cluttered areas and benches can cause accidents.

2 Consider work area environment

Do not expose Power Tools to humidity. Keep work area well lit. Do not use Power Tools in the presence of inflammable liquids or gases.

3 Guard against electric shock

Prevent body contact with earthed surfaces (e.g. pipes, radiators, cookers and refrigerators). For use under extreme conditions (e.g. high humidity, when metal swarf is being produced, etc.) electric safety can be improved by inserting an isolating transformer or a (FI) earth-leakage circuit-breaker.

4 Keep children away

Do not let children come into contact with the tool or extension cord. Keep all people away from the work area.

5 Extension cords for outdoor use

When the tool is used outdoors, always use extension cords intended for outdoor use and marked accordingly.

6 Store idle tools

When not in use, Power Tools must be stored in a dry place and locked up securely, out of reach of children.

7 Dress properly

Do not wear loose clothing or jewellery. They can be caught in moving parts. Preferably wear rubber gloves and non-slip footwear when working outdoors. Wear protective hair covering to keep long hair out of the way.

8 Wear safety goggles

Also use a face or dust mask in case the operations produce dust or flying particles.

9 Beware of maximum sound pressure

Take appropriate measures for the protection of hearing if the sound pressure of 85 dB(A) is exceeded.

10 Secure workpiece

Use clamps or a vice to hold the workpiece. It is safer and it frees both hands to operate the tool.

11 Do not overreach

Keep proper footing and balance at all times.

12 Avoid unintentional starting

Do not carry the plugged-in tool with a finger on the switch. Be sure that the switch is released when plugging in.

13 Stay alert

Watch what you are doing. Use common sense. Do not operate the tool when you are tired.

14 Disconnect tool

Shut off power and wait for the tool to come to a complete standstill before leaving it unattended. Unplug the tool when not in use, before servicing or changing accessories.

15 Remove adjusting keys and wrenches

Always check that adjusting keys and wrenches are removed from the tool before operating the tool.

16 Use appropriate tool

The intended use is laid down in this instruction manual. Do not force small tools or attachments to do the job of a heavy-duty tool. The tool will do the job better and safer at the rate for which it was intended.

Warning! The use of any accessory or attachment or performance of any operation with this tool, other than those recommended in this instruction manual may present a risk of personal injury.

17 Do not abuse cord

Never carry the tool by its cord or pull it to disconnect from the socket. Keep the cord away from heat, oil and sharp edges.

18 Maintain tools with care

Keep the tools in good condition and clean for better and safer performance. Follow the instructions for maintenance and changing accessories. Inspect the tool cords at regular intervals and, if damaged, have them repaired by an authorized DeWALT repair agent. Inspect the extension cords periodically and replace them if damaged. Keep all controls dry, clean and free from oil and grease.

19 Check for damaged parts

Before using the tool, carefully check it for damage to ensure that it will operate properly

and perform its intended function. Check for misalignment and seizure of moving parts, breakage of parts and any other conditions that may affect its operation. Have damaged guards or other defective parts repaired or replaced as instructed.

Do not use the tool if the switch is defective. Have the switch replaced by an authorized DeWALT repair agent.

20 Have your tool repaired by an authorized DeWALT repair agent

This Power Tool is in accordance with the relevant safety regulations. To avoid danger, electric appliances must only be repaired by qualified technicians.

Package contents

The package contains:

- 1 Jigsaw
- 1 Blade
- 3 Anti-splinter shoe insert
- 1 Dust extraction adaptor
- 1 Anti-scratch shoe cover
- 1 Allen key
- 1 Metal case
- 1 Instruction manual
- 1 Exploded drawing
- 1 Registration card

- Check for damage to the tool, parts or accessories which may have occurred during transport.
- Take the time to thoroughly read and understand this manual prior to operation.

Description (fig. A)

Your DW320K jigsaw has been designed for professional cutting of wood, steel, aluminium, PVC or ceramic material.

- 1 ON/OFF-switch
- 2 Variable speed control dial
- 3 Lock-on button
- 4 Pendulum stroke selector
- 5 Dust extraction socket
- 6 Shoe
- 7 Guide roller
- 8 Blade holder
- 9 Dust extraction shroud

Electrical safety

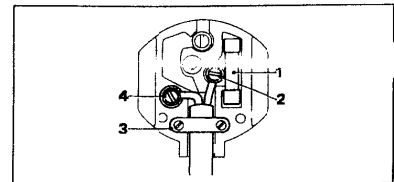
The electric motor has been designed for one voltage only. Always check that the power supply corresponds to the voltage on the rating plate.



Your DeWALT tool is double insulated in accordance with EN 50144; therefore no earth wire is required.

Mains plug replacement (U.K. & Ireland only)

- Should your mains plug need replacing and you are competent to do this, proceed as instructed below. If you are in doubt, contact an authorized DeWALT repair agent or a qualified electrician.
- Disconnect the plug from the supply.
- Cut off the plug and dispose of it safely; a plug with bared copper conductors is dangerous if engaged in a live socket outlet.
- Only fit 13 Amperes BS1363A approved plugs fitted with the correctly rated fuse (1).
- The cable wire colours, or a letter, will be marked at the connection points of most good quality plugs. Attach the wires to their respective points in the plug (see below). Brown is for Live (L) (2) and Blue is for Neutral (N) (4).
- Before replacing the top cover of the mains plug ensure that the cable restraint (3) is holding the outer sheath of the cable firmly and that the two leads are correctly fixed at the terminal screws.



Never use a light socket.
Never connect the live (L) or neutral (N) wires to the earth pin marked E or \perp .

For 115 V tools, use plugs to BS4343 standard.

Using an extension cable*

If an extension cable is required, use an approved triple-core extension cable suitable for the power

ENGLISH

input of this tool (see technical data). The minimum conductor size is 1.5 mm².
When using a cable reel, always unwind the cable completely.

Also refer to the table below.

Conductor size (mm ²)	Cable rating (Amperes)					
0.75	6					
1.00	10					
1.50	15					
2.50	20					
4.00	25					
Cable length (m)						
	7.5	15	25	30	45	60
Voltage	Amperes	Cable rating (Amperes)				
115	0 - 2.0	6	6	6	6	€ 10
	2.1 - 3.4	6	6	6	6	1€ 15
	3.5 - 5.0	6	6	10	15	20 20
	5.1 - 7.0	10	10	15	20	20 25
	7.1 - 12.0	15	15	20	25	25 -
	12.1 - 20.0	20	20	25	-	- -
220/240	0 - 2.0	6	6	6	6	6 6
	2.1 - 3.4	6	6	6	6	6 6
	3.5 - 5.0	6	6	6	6	10 15
	5.1 - 7.0	10	10	10	10	15 15
	7.1 - 12.0	15	15	15	15	20 20
	12.1 - 20.0	20	20	20	20	25 -

Assembly and adjustment



Prior to assembly and adjustment, always unplug the tool.

Fitting and removing a saw blade (fig. B & C)

- Slacken both retaining screws of the blade holder (8). To do this use the Allen key (11) located in the key holder (10).
- Push the blade shank into the blade holder (8) as far as it will go.
- Tighten the retaining screws.
- To remove the saw blade proceed in reverse order.

Setting the mitre angle

Preset position (0° - 15° - 30° - 45°) (fig. D)
The adjustable shoe (6) allows cutting of LH and RH mitre angles up to 45°.

- Loosen both screws (12) using the Allen key (11) provided.

- Push the shoe (6) backward.
- Tilt the shoe and set the desired mitre angle with the help of the graduation (refer to the inset in fig. D).
- Tighten both screws using the Allen key.

Intermediate position (fig. D)

- Proceed as described above. However, pull the shoe (6) forward.

Mounting the dust extraction adaptor (fig. E)

- Line up the marks on the adaptor and the tool. Fit the dust extraction adaptor (13) into the socket (5).
- Turn the adaptor (13) clockwise a quarter of a turn.
- Introduce the end of the dust extraction hose into the adaptor.
- Slide the dust extraction shroud to the lower position.



Since working with a jigsaw produces dust, always connect a vacuum cleaner designed in compliance with the applicable directives regarding dust emission.
Do not use a vacuum cleaner without proper spark protection when sawing metal.

Mounting and removing the anti-splinter shoe insert (fig. F)

The anti-splinter shoe insert (14) which fits close to the saw blade prevents splintering of the workpiece.

- Mount the anti-splinter shoe insert (14) into the shoe as shown.
- Remove the anti-splinter shoe insert in reverse order.

Mounting and removing the anti-scratch shoe cover (fig. G)

The anti-scratch shoe cover (15) prevents damage to the surface of fragile workpieces.

- Click the cover (15) onto the shoe as shown.

Setting the electronic sawing speed (fig. H)

- Turn the control dial (2) to the desired level. The higher the number, the higher the sawing speed. The required setting is a matter of experience.
- Use the table below as a guideline.

ENGLISH

material	sawing speed
wood	6 - max
metal	2 - 3
aluminium	3 - 5
PVC	3 - 4
ceramic	3 - 5



After using the tool for an extended period on low speed settings, run it for approx. 3 minutes on maximum no-load speed.

Setting the pendulum stroke (fig. I)

The adjustable pendulum stroke guarantees a perfect cutting aggressiveness for different materials.

- Slide the selector (4) to the desired position. The required setting is a matter of experience.
- Refer to the table below.

Pos.	Wood	Metal	Plastics
3	Fast cuts	—	PVC
2	Thick workpieces	—	Fibreglass Acrylic
1	Plywood Chipboard	Aluminium Non-ferrous	—
0	Thin workpieces Fine cuts	Sheet metal	—



When using knife blades select position 0.

Instructions for use



- Always observe the safety instructions and applicable regulations.
- Make sure your workpiece is well secured. Remove nails, screws and other fasteners that may damage the blade.
- Check that there is sufficient space for the blade underneath the workpiece. Do not cut materials that are thicker than the maximum cutting depth.

- Use sharp saw blades only. Damaged or bent saw blades must be removed immediately.
- Do not use the tool for sawing pipes or tubes.
- Never run your tool without a saw blade.
- Never use your jigsaw as a stationary machine.
- For optimal results, move the tool smoothly and constantly over the workpiece. Do not exert lateral pressure on the saw blade. Keep the shoe flat on the workpiece and lead the cord away in line with the tool. When sawing curves, circles or other round shapes, push the tool gently forward.
- Wait until the tool has come to a standstill before removing the saw blade from the workpiece. After sawing the blade may be very hot. Do not touch.

Switching ON and OFF (fig. A)

- Switching ON: press the ON/OFF-switch (1).
- For continuous operation, press the lock-on button (3).
- Switching OFF: press the ON/OFF-switch once more. Always switch OFF the tool when work is finished and before unplugging.

Sawing in wood

- If necessary, draw a cutting line.
- Switch the tool ON.
- Hold the tool against the workpiece and follow the line.

Sawing in wood using a pilot hole

- If necessary, draw a cutting line.
- Drill a hole (ø min. 12 mm) and introduce the saw blade.
- Switch the tool ON.
- Follow the line.

Sawing up to a projecting edge (fig. D)

- Loosen both screws (12) using the Allen key (11).
- Push the shoe (6) all the way backward.
- Tighten both screws.
- Switch the tool ON.

Sawing in metal

- Mount an appropriate saw blade.

ENGLISH

- Proceed as described above.
- Adapt the sawing speed.



Use a coding lubricant (cutting oil) to prevent overheating of the saw blade or the workpiece.

Consult your dealer for further information on the appropriate accessories.
These include rip fences and centre pins.

Maintenance

Your DeWALT Power Tool has been designed to operate over a long period of time with a minimum of maintenance. Continuous satisfactory operation depends upon proper tool care and regular cleaning.



Lubricating the guide roller (fig. J)

- Lubricate the guide roller (7) at regular intervals to prevent jamming.



Cleaning

Keep the ventilation slots clear and regularly clean the housing with a soft cloth.



Unwanted tools and the environment

Take your tool to an authorized DeWALT repair agent where it will be disposed of in an environmentally safe way.

GUARANTEE

• 30 DAY NO RISK SATISFACTION GUARANTEE •

If you are not completely satisfied with the performance of your DeWALT tool, simply return it within 30 days, complete as purchased, to a participating Dealer, or an authorized DeWALT repair agent, for a full refund or exchange. Proof of purchase must be produced.

• ONE YEAR FREE SERVICE CONTRACT •

If you need maintenance or service for your DeWALT tool, in the 12 months following purchase, it will be undertaken free of charge at an authorized DeWALT repair agent. Proof of purchase must be produced. Includes labour and spare parts for Power Tools. Excludes accessories.

• ONE YEAR FULL WARRANTY •

If your DeWALT product becomes defective due to faulty materials or workmanship within 12 months from the date of purchase, we guarantee to replace all defective parts free of charge or, at our discretion, replace the unit free of charge provided that:

- The product has not been misused.
 - Repairs have not been attempted by unauthorized persons.
 - Proof of purchase date is produced.
- This guarantee is offered as an extra benefit and is additional to consumers statutory rights.

For the location of your nearest authorized DeWALT repair agent, please use the appropriate telephone number on the back of this manual.