

Features

- 19 Pin Plug & Socket Set
- Cable to Cable Connections
- SP25 Series
- Solder
- Threaded Coupling
- Cable Outer Diameter: 10-14mm
- Used in Factory Automation, Robotics, Industrial Machinery, Railway & Transportation, Aerospace & Defence, Medical Equipment, Renewable Energy Systems etc.

Product Description

RS PRO Industrial Circular Connectors

RS Stock No.: 0672247



Image for representational purposes only

RS PRO is the own brand of RS. The RS PRO Seal of Approval is your assurance of professional quality, a guarantee that every part is rigorously tested, inspected, and audited against demanding standards. Making RS PRO the Smart Choice for our customers.

The RS PRO range of industrial circular cable connectors is engineered for robust and reliable performance in demanding environments. Featuring a circular design for secure mating and easy installation, these connectors deliver outstanding protection against dust, moisture, and mechanical stress. This makes them an ideal choice for industrial automation, robotics, and outdoor applications where durability is critical. Designed to support both power and signal transmission, the connectors offer aesthetic consistency across your project by allowing a single series to be used for multiple functions.

General Specifications

Number of Contacts	19
Shell Material	Polycarbonate, Nylon66, fire resistance: V-0
Insert Material	Polyphenylene Sulphide (PPS)
Contact Material	Brass Alloy
Contact Plating	Gold
Pole Format	19P
Contact Gender	Male & Female
Mating Type	Threaded
Mating Cycles	500
Colour	Black

Electrical Specifications

Plug/Socket	Plug & Socket
Termination	Solder
Current Rating	5A
Voltage Rating	400V
Insulation Resistance	2000M Ω
Contact Resistance	5m Ω

Mechanical Specifications

Connector Size	SP25
Contact Diameter	1mm

Cable Outer Diameter	10-14mm
Wire size (mm ² / AWG)	≤0.75 / 18

Operation Environment Specifications

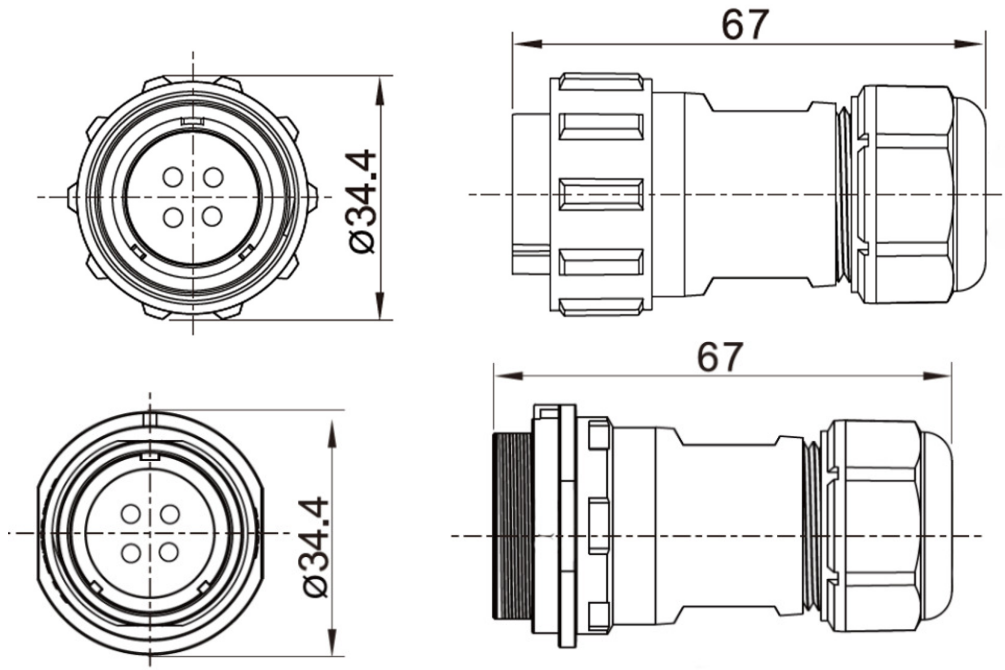
Operating Temperature	-40°C to 85°C
-----------------------	---------------

Protection Category

IP Rating	IP68
-----------	------

Approvals

Compliance/Certifications	RoHS, CE
---------------------------	----------



Similar Products

Parameters	SP2510/P2II2NBN P&SP2511C/S2II2 CBNP	0672242	0672243	0672244	0672245
Number of Contacts	2	3	4	9	10
Current Rating	10	10	10	5 & 25	10
Voltage Rating	500	500	500	500	500
Termination Method	Screw	Screw	Screw	Solder	Solder
Wire size (mm²)	0.5-1.5	0.5-1.5	0.5-1.5	≤0.75 & ≤4	≤2
Contact Diameter	2.5mm	2.5mm	2.5mm	1 & 2.5mm	1.5mm

Parameters	0672246
Number of Contacts	12
Current Rating	10
Voltage Rating	500
Termination Method	Solder
Wire size (mm²)	≤2
Contact Diameter	1.5mm