

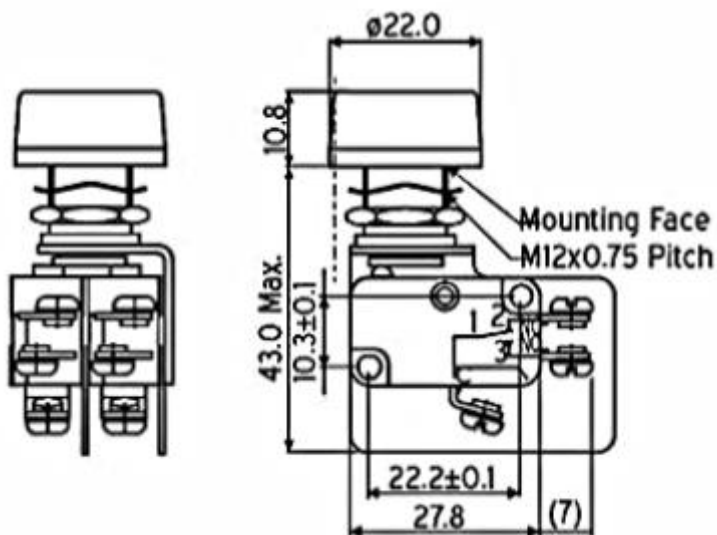
Datasheet

DP Button Microswitch, 0.1 A@ 110 V dc, 0.6 A@ 110 V dc, 16 A@ 250 V ac

RS Stock 804-6275



Dimensions: (mm)





-
- Characteristics
- Versatile switch suitable for many heavy duty applications.
 - Double Pole change over.
 - Available with solder, quick connect and screw terminals.
 - Long mechanical and electrical life.
 - Fine silver contacts.
 - Temperature range upto 85°C.
 - Positive snap action.
 - Push buttons are available in Red, Green, Yellow, Blue, Black & White colours. State colour while ordering.
 - Conform to IEC 1058-1 standard.
-

ELECTRICAL RATINGS

LOAD RATINGS (for micro switch with 400/200 gms. actuating force)

AC	16 Amp at 250V 5 Amp at 440V
DC (resistive)	0.6 Amp at 110V 0.3 Amp at 220V
DC (inductive)	0.1 Amp at 110V 0.05 Amp at 220V

Circuit facilities	Double pole changeover
Actuating force	800 gms. (max.)
Release force	160 gms. (min.)
Centre distance between two adjacent units	29.0 mm. (min.)
Cut-out size	Ø12.5 mm.
