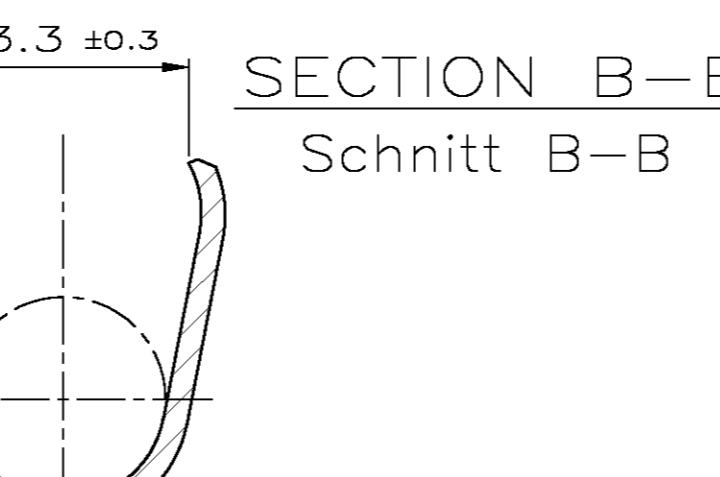
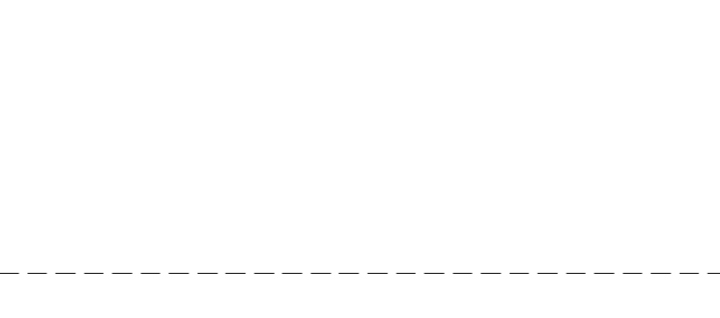
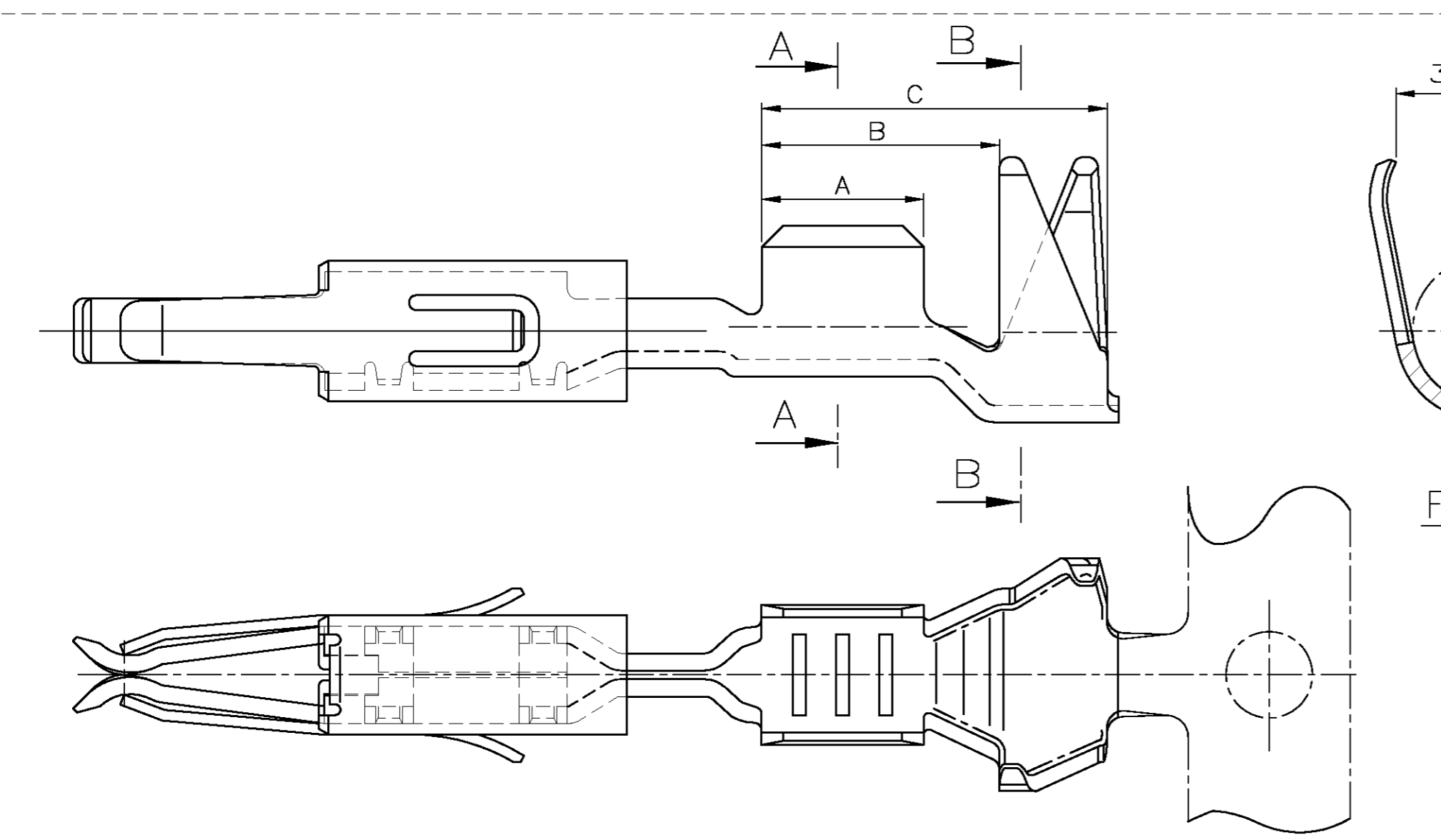
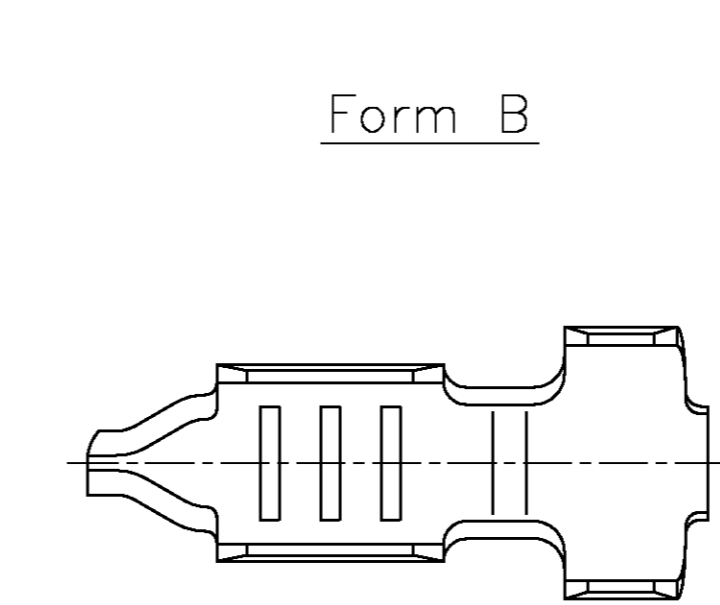
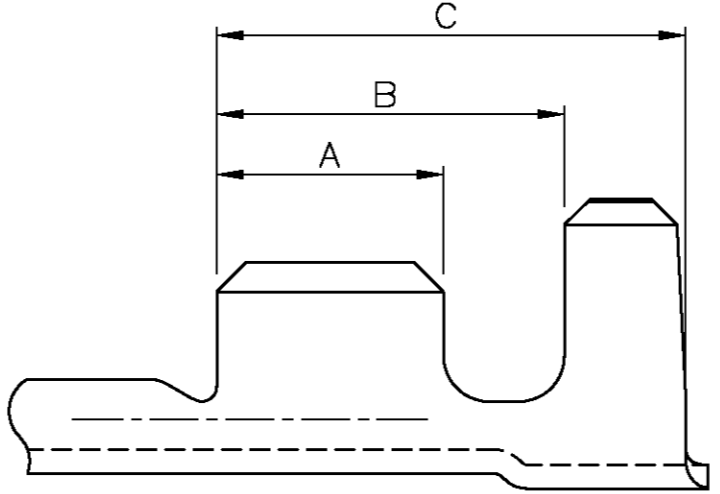
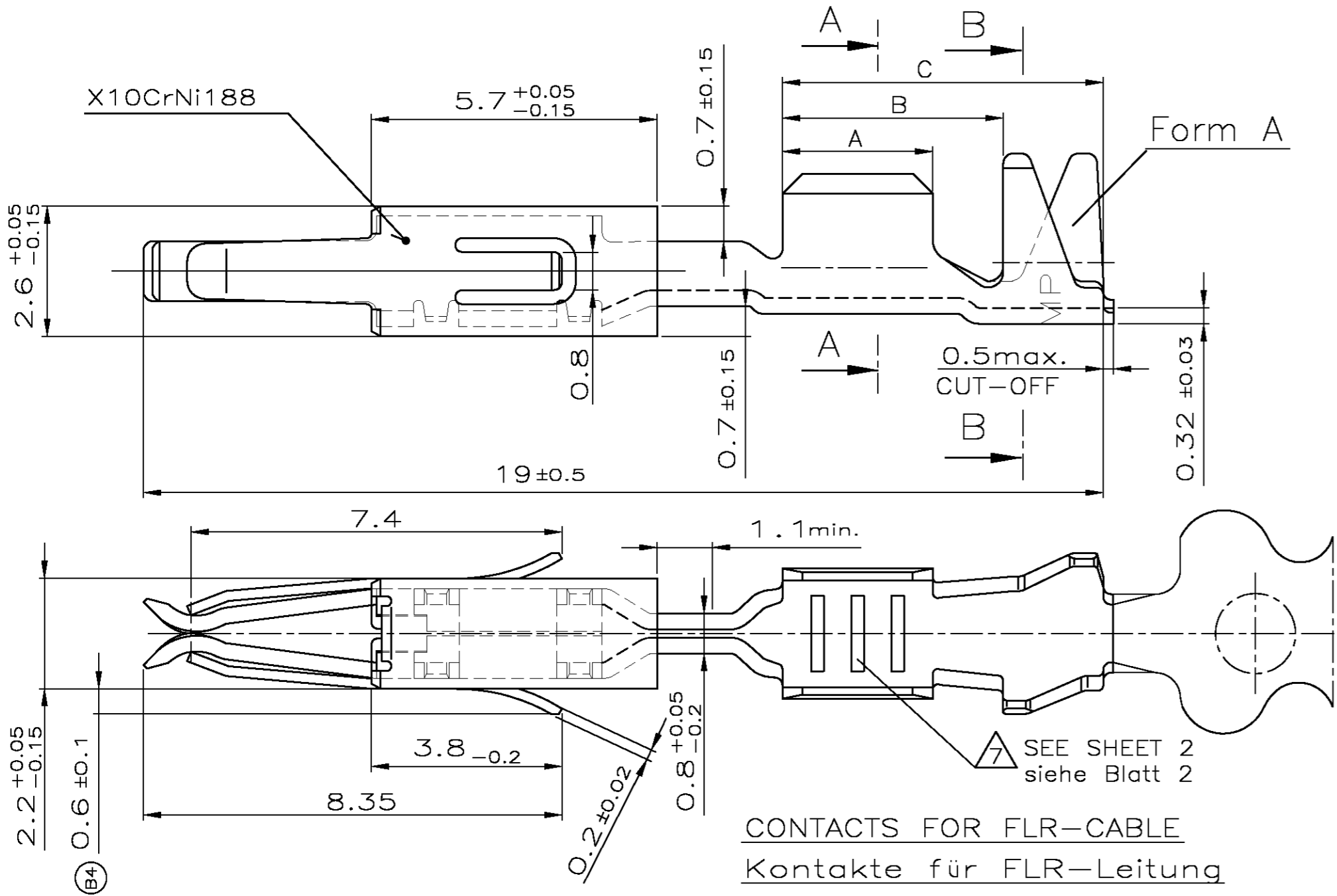
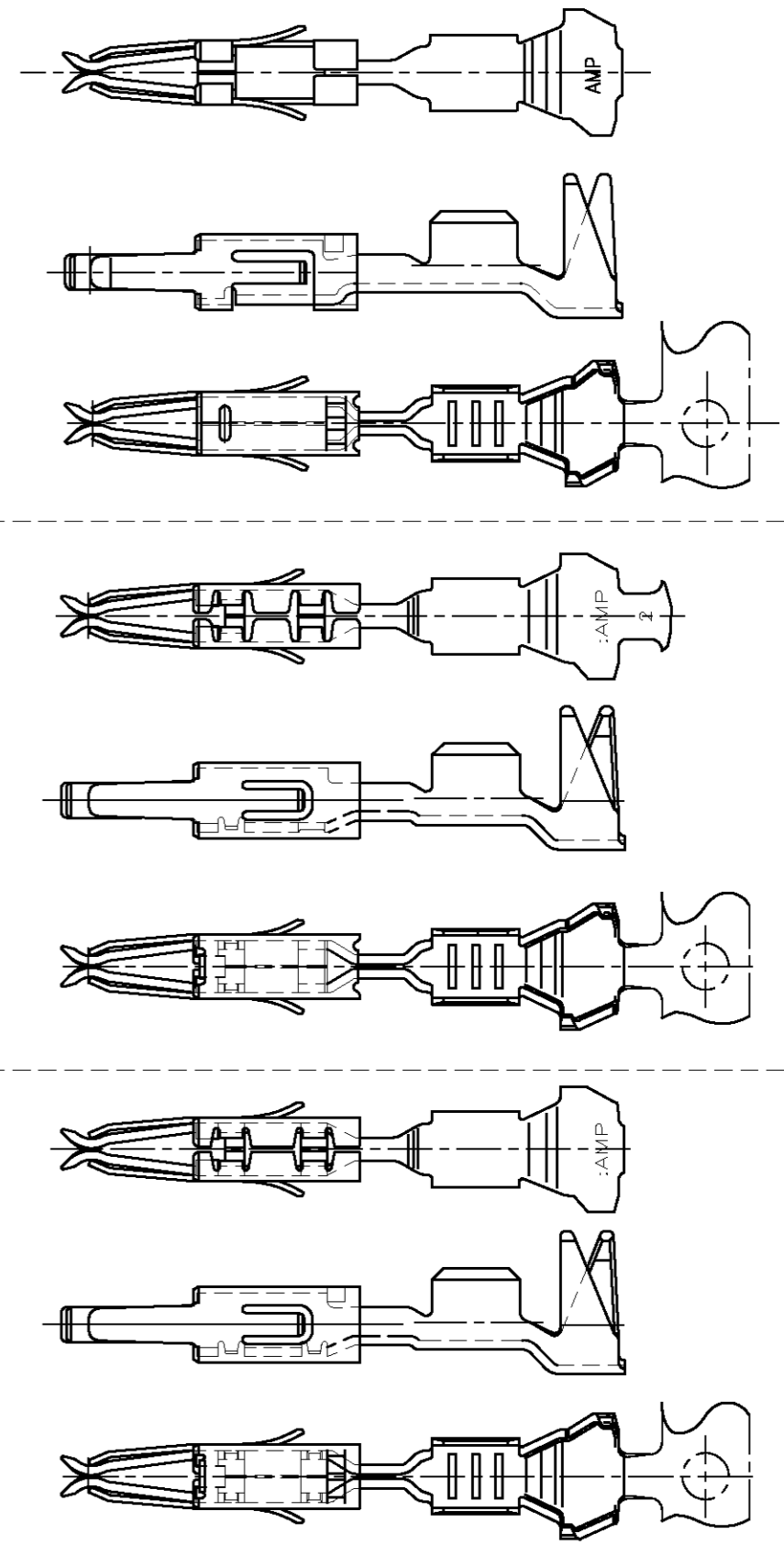


THIS DRAWING IS UNPUBLISHED
 VERBODEN ONDEROPENLIJKE ZEICHNING
 (C) COPYRIGHT 2000 BY AMP INCORPORATED. ALL RIGHTS RESERVED.
 RELEASED FOR PUBLICATION
 FREI FÜR VERÖFFENTLICHUNG
 ALLE RECHTE VORBEHALTEN
 MATED WITH:
 PASSEND ZU: -



LOC	DIST	REVISIONS					
AI	-	P	LTR	DESCRIPTION	DATE	DWN	APVD
PROJEKT NR.:				BESCHREIBUNG			
		B2		DRAWING UPDATED	09MAY01	Abr	M.T.
		B3		DRAWING UPDATED	15NOV01	Abr	M.T.
		B4		TOLERANCE ADAPTED/TABLE ADDED	30APR04	G.Abraham	M.Brunner
		B5		NOTE 7 ADDED	27AUG08	D.Meyer	M.Brunner
		B6		PART REV. PN 969005 AND 964261 ADAPTED.	27APR09	G.Abraham	M.Brunner

DIFFERENT TOOL DETAILS
 Verschiedene Werkzeugausführungen
 FUNKTION AND HANDLING WITH
 ALL DETAILS CONTINUOUSLY
 Funktion und Handhabung
 bei allen Ausführungen gleich
 SUPPLY AFTER AVAILABILITY
 Lieferung nach Verfügbarkeit



NOT SPECIFIED NOTES AND DIMENSIONS SEE SHEET 2
 Nicht spezifizierte Bemerkungen und Maße siehe Blatt 2

<small>THIS DRAWING IS A CONTROLLED DOCUMENT FOR AMP INCORPORATED. IT IS SUBJECT TO CHANGE AND THE CONTROLLING ENGINEERING ORGANIZATION SHOULD BE CONTACTED FOR THE LATEST REVISION. DIESER ZEICHNUNGS-DOKUMENT WIRD DURCH AMP INCORPORATED KONTROLLIERT. ÄNDERUNGEN, DIE DEM TECHNISCHEN FORTSCHRITT DIENEN, SIND VORBEHALTEN. DEN JÜNGLICH LETZTBESTEN ÄNDERUNGSSTAND ERFAHREN SIE AUF ANFRAGE.</small>		DWN: M.Pfeilschifter CHK: V. Huhn APVD: Bleicher, M. DATE: 18-AUG-00 DATE: 18-AUG-00 DATE: 16-NOV-01 NAME	Tyco Electronics tyco Electronics AMP GmbH D - 64625 Bensheim
DIMENSIONS: DIMENSIONEN: mm	OTHERWISE SPECIFIED: ALLGEMEINTOLERANZEN n. ISO 8015 n. ISO 2768 - mH - E n. DIN 16901 - 140 ±0.2mm	PRODUCT SPEC: 108-18055 APPLICATION SPEC: 114-18081	PRODUCT GROUP DRAWING FOR MICRO TIMER 2 CONTACT TYP A
MATERIAL: -	ANGLES / WINKEL ±- FINISH / OBERFLÄCHE / FARBE -	WEIGHT / GEWICHT - CUSTOMER DRAWING / KUNDENZEICHNUNG	SIZE: A2 CAGE CODE: 00779 DRAWING NO. / ZEICHNUNGS-NR.: C=1355045 RESTRICTED TO NUR FÜR: -
		MASSSTAB: 10:1 BLATT: 1 VON 2	REV: B6

THIS DRAWING IS UNPUBLISHED
 VERBODEN DEZES TEKENING VOOR EEN ANDEREN DOEL
 (C) COPYRIGHT 2000 BY AMP INCORPORATED. ALL RIGHTS RESERVED.
 RELEASÉ FOR PUBLICATION
 FREI FÜR VERÖFFENTLICHUNG
 ,2000.
 MATÉD WITH:
 PASSEND ZU:

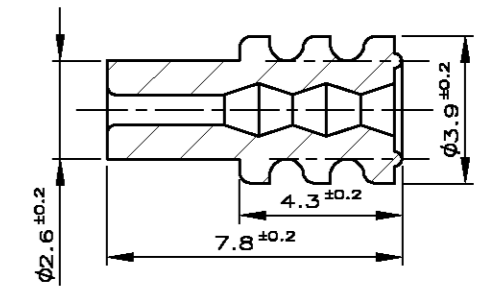
LOC	DIST	REVISONS		
AI	-	P	LTR	ANDERUNGEN
PROJEKT NR.:	-	DESCRIPTION		
-	-	BESCHREIBUNG		
		DATE	DWN	APVD
		-	-	-
		SEE SHEET 1		

REV.	ORDER NO. BESTELL-NR.	MATERIAL	SURFACE	LENGTH	INSULATION	WIRE RANGE	WIRE CRIMP	SECTION A-A	SECTION B-B	WIRE CRIMP	SECTION A-A	SECTION B-B	FLR - CABLE / Leitung	HAND TOOL	INSERT	ORDER NO. BESTELL-NR.	ORDER NO. BESTELL-NR.	CRIMP DATA AND CRIMP TOOL
	4-964274-1	CuNiSi	△6	A = 3.0	E = 2.5	H = 4.3	0.50mm² = 1.18	E = 2.2	H = 3.8					539635-1	539663-2			
	964274-3	CuSn 4	△1	B = 4.4	G = 2.7	K = 4.8	0.75mm² = 1.27	G = 2.8	K = 4.5									
	964274-2	CuFe 2	PRETINNED vorverzinkt	C = 6.4	D _{br} = 1.2	D _{iso} = 2.7	1.00mm² = 1.36	D _{br} = 1.2	R = 2.3									
△7	4-969005-1	CuNiSi	△6	A = 2.5	E = 2.4	H = 4.3	0.20mm² = 0.98	E = 1.7	H = 3.6									
	969005-3	CuSn 4	△1	B = 4.4	G = 2.3	K = 4.8	0.25mm² = 1.00	G = 2.3	K = 4.2									
	969005-2	CuFe 2	PRETINNED vorverzinkt	C = 6.4	D _{br} = 1.0	D _{iso} = 2.6	0.35mm² = 1.05	D _{br} = 1.0	R = 2.1									
	1241844-3	CuSn 4	△1	A = 3.0	E = 2.8	H = 3.5	1.50mm² = 1.66	E = -	H = -									
	1241844-2	CuFe 2	PRETINNED vorverzinkt	B = 4.4	G = 3.0	K = 3.9		G = -	K = -									
				C = 6.4	D _{br} = 1.4	D _{iso} = 1.9		D _{br} = -	R = -									
△2				A = 3.0	E = 2.5	K = 3.9	0.50mm² = 1.18	E = 2.2	H = 2.8									
	964348-2	CuFe 2	PRETINNED vorverzinkt	B = 4.6	G = 2.7	K = 3.9	0.75mm² = 1.27	G = 2.8	K = 3.5									
				C = 6.2	D _{br} = 1.2	D _{iso} = 1.8	1.00mm² = 1.36	D _{br} = 1.2	R = 1.6									
	4-964263-1	CuNiSi	△6	A = 3.0	E = 2.5	H = 3.2	0.50mm² = 1.18	E = 2.2	H = 2.8									
	964263-3	CuSn 4	△1	B = 4.4	G = 2.7	K = 3.4	0.75mm² = 1.27	G = 2.8	K = 3.0									
	964263-2	CuFe 2	PRETINNED vorverzinkt	C = 6.4	D _{br} = 1.2	D _{iso} = 1.8	1.00mm² = 1.36	D _{br} = 1.2	R = 1.6									
△7	4-964261-1	CuNiSi	△6	A = 2.5	E = 2.4	H = 2.9	0.20mm² = 0.98	E = 1.7	H = 2.5									
	964261-3	CuSn 4	△1	B = 4.4	G = 2.3	K = 2.9	0.25mm² = 1.00	G = 2.3	K = 2.5									
	964261-2	CuFe 2	PRETINNED vorverzinkt	C = 6.4	D _{br} = 1.0	D _{iso} = 1.4	0.35mm² = 1.05	D _{br} = 1.0	R = 1.4									

ORDER NO. BESTELL-NR.	REV.	ORDER NO. BESTELL-NR. LOOSE PIECE Einzelausführung	WIRE RANGE Drahtgrößen Bereich [mm²]	INSULATION Isolations Ø [mm]	MATERIAL Werkstoff	SURFACE Oberfläche	LENGTH Länge	WIRE CRIMP Drahtcrimp	INSUL.-CRIMP Isol.-Crimp	CRIMP HEIGHT Crimp-Höhe	WIRE CRIMP Drahtcrimp	INSUL.-CRIMP Isol.-Crimp	FLR - CABLE / Leitung	HAND TOOL (Handzange)	INSERT (Matrize)	ORDER NO. BESTELL-NR.	ORDER NO. BESTELL-NR.	CRIMP DATA AND CRIMP TOOL
CRIMP DIMENSIONS Crimpabmessungen [mm]																		
ORDER NO. BESTELL-NR. TOOL/INSERT Handzange/Matrize LOOSE PIECE für Einzelausführung																		
ORDER NO. BESTELL-NR. EXTRACTION TOOL Ausdruckwerkzeug																		
CRIMP DATA AND CRIMP TOOL Crimpdaten u. Crimpwerkzeuge																		

- NOTES
 Bemerkungen
- △1 BODY ELECTRO TIN PLATED OVER NICKEL 0.2 µm min.
 Kontaktkörper gal. verzinkt über Nickel
 - CONTACT AREA SELECTIV GOLD OVER NICKEL 0.8 µm min.
 Kontaktzone selectiv vergoldet über Ni
 - WIRE CRIMP AREA ELECTRO TIN PLATED OVER NICKEL 1 µm min.
 Drahtcrimpbereich gal. verzinkt über Ni
 - △2 FOR DOUBLE- AND SINGLE TERMINATION
 Für Doppel- und Einzelschläge
 - △3 ACCORDING INSULATION Ø IS TO CHOOSE THE SINGLE WIRE SEAL
 Entsprechend dem Isolationsdurchmesser ist die Einzel-Dichtung auszuwählen
 - △6 BODY ELECTRO TIN PLATED OVER NICKEL 0.2 µm min.
 Kontaktkörper gal. verzinkt über Nickel
 - CONTACT AREA SELECTIV GOLD OVER NICKEL 0.8 µm min.
 Kontaktzone selectiv vergoldet über Ni
 - WIRE CRIMP AREA ELECTRO TIN PLATED 1 µm min.
 Drahtcrimpbereich gal. verzinkt
 - △7 SERRATIONS OVER THE HOLE WIDTH OF THE CRIMP AREA
 Rillen ueber die ganze Breite des Crimpbereiches.

SINGLE WIRE SEAL Einzel-Dichtung		
964972-1	1.9-2.1	YELLOW gelb
963530-1	1.4-1.9	GREY grau
964971-1	1.2-1.6	RED rot
ORDER NO. BESTELL-NR.	INSULATION Ø	COLOUR Farbe



THIS DRAWING IS A CONTROLLED DOCUMENT FOR AMP INCORPORATED. IT IS SUBJECT TO CHANGE AND THE CONTROLLING ENGINEERING ORGANIZATION SHOULD BE CONTACTED FOR THE LATEST REVISION.		DWN M.Pfeilschifter 17-AUG-00 CHK V. Huhn 17-AUG-00		Tyco Electronics tyco Electronics AMP GmbH D - 64625 Bensheim	
DIMENSIONS: mm OTHERWISE SPECIFIED: ALLGEMEINTOLERANZEN n. ISO 8015 n. ISO 2768 - mH - E n. DIN 16901 - 140 ±0.2mm		APVD Bleicher, M. 16-NOV-01 NAME PRODUCT SPEC 108-18055 APPLICATION SPEC 114-18081		PRODUCT GROUP DRAWING FOR MICRO TIMER 2 CONTACT TYP A	
MATERIAL -		ANGLES / WINKEL ±- FINISH / OBERFLAECHEN / FARBE -		SIZE A2 CAGE CODE 00779 DRAWING NO. 1355045	
CUSTOMER DRAWING / KUNDENZEICHUNG		MASSSTAB 5:1		BLATT 2 OF 2 REV B6	