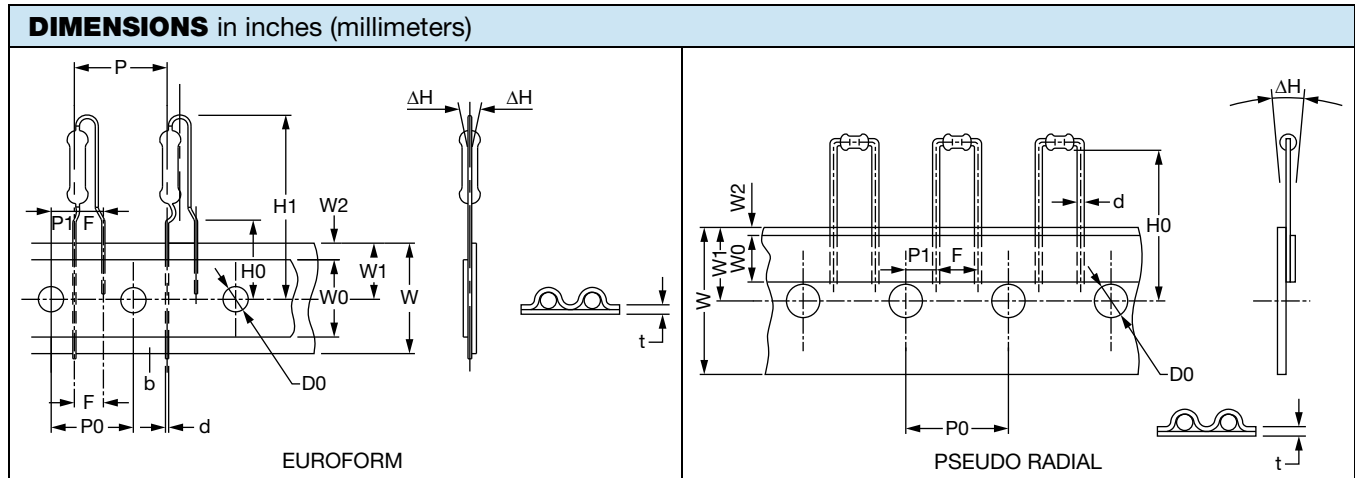


## Film Resistor, Special Application Lead-Forming

### SPECIFICATIONS

- EUROFORM style lead-forming for the CMF 55, 60, and 20-sizes, and the CPF 1 and 2-sizes; PSEUDO RADIAL style lead-forming for the CMF 50-size
- Refer to product datasheets for the electrical characteristics and component dimensions

LEADED FILM TAPE AND REEL CUT AND FORM PACKAGING					
MODEL	SIZE	PACKAGING CODE		STYLE	PACKAGING UNIT (pieces)
		LEAD (Pb)-BEARING	LEAD (Pb)-FREE		
CMF	50	SP	ER	PSEUDO RADIAL	2500
	55	RL	EU	EUROFORM	2500
	60, 20	RL	EU	EUROFORM	1800
CPF	1	R74	E74	EUROFORM	2500
	2	R74	E74	EUROFORM	1800



DIMENSION	EUROFORM		PSEUDO RADIAL
	CMF-55, CMF-60, CPF-1	CMF-20, CPF-2	CMF-50
Seating Plane Height (H0)	0.630 ± 0.020 (16.0 ± 0.5)	0.630 ± 0.020 (16.0 ± 0.5)	0.827 + 0.039, - 0 (21.0 + 1, - 0)
Hole Center to Top of Component (H1)	1.270 max. (32.25 max.)	1.270 max. (32.25 max.)	-
Lead Spacing (F)	0.197 ± 0.031 (5.0 ± 0.8)	0.197 ± 0.031 (5.0 ± 0.8)	0.197 + 0.020, - 0.004 (5.0 + 0.5, - 0.1)
Lead Diameter (d)	0.024 ± 0.005 (0.6 ± 0.12)	0.032 ± 0.002 (0.813 ± 0.051)	0.020 ± 0.002 (0.51 ± 0.05)
Component Spacing (P)	0.500 ± 0.039 (12.7 ± 1.0)	0.500 ± 0.039 (12.7 ± 1.0)	-
Feed Hole Spacing (P0)	0.500 ± 0.012 (12.7 ± 0.3)	0.500 ± 0.012 (12.7 ± 0.3)	0.500 ± 0.012 (12.7 ± 0.3)
Hole Center to Lead Center (P1)	0.152 ± 0.028 (3.85 ± 0.7)	0.152 ± 0.028 (3.85 ± 0.7)	0.152 ± 0.028 (3.85 ± 0.7)
Component Misalignment (ΔH)	0.079 max. (2.0 max.)	0.079 max. (2.0 max.)	0.079 max. (2.0 max.)
Carrier Tape Width (W)	0.709 + 0.039, - 0.020 (18.0 + 1.0, - 0.5)	0.709 + 0.039, - 0.020 (18.0 + 1.0, - 0.5)	0.709 + 0.039, - 0.020 (18.0 + 1.0, - 0.5)
Adhesive Tape Width (W0)	0.125 min. (3.17 min.)	0.125 min. (3.17 min.)	0.236 min. (6.00 min.)
Feed Hole Location (W1)	0.354 + 0.031, - 0.020 (9.0 + 0.8, - 0.5)	0.354 + 0.031, - 0.020 (9.0 + 0.8, - 0.5)	0.354 + 0.031, - 0.020 (9.0 + 0.8, - 0.5)
Adhesive Tape Position [Border] (W2)	0.118 max. (3.0 max.)	0.118 max. (3.0 max.)	0.020 + 0.020, - 0 (0.5 + 0.5, - 0)
Feed Hole Diameter (D0)	0.157 ± 0.008 (4.0 ± 0.2)	0.157 ± 0.008 (4.0 ± 0.2)	0.157 ± 0.008 (4.0 ± 0.2)
Tape Thickness (t)	0.016 to 0.035 (0.4 to 0.9)	0.016 to 0.035 (0.4 to 0.9)	0.016 to 0.035 (0.4 to 0.9)
Lead Wire Protrusion (b)	0.039 max. (1.0 max.)	0.039 max. (1.0 max.)	-

### Notes

- Cumulative pitch tolerance (dimension P0) not to exceed 1 mm/20 pitches.
- Not more than 2 consecutive components and not more than 0.5 % shall be missing from the reel.
- Consult factory for availability of lead-forming on other models.