



residual current device RCD820 advanced RCD type A load side mounted rated resid. current 0.03...30A at 50/60Hz adjustable tv...10000ms 3-pole In=250A Ue=100-690V accessory for: 3VA2

Model	
product brand name	SENTRON
product designation	Accessories
design of the product	Residual current protection module type A
General technical data	
fastening method	screw fixing
number of poles	3
protection class IP / on the front	IP40
Current	
operational current / at AC / rated value	250 A
response value / of the residual current	0.03;0.05;0.1;0.3;0.5;1;3;5;10;30
Mechanical Design	
product function / communication with residual current equipment	Yes
<ul style="list-style-type: none"> <li>product function / integrated / alarm management</li> <li>product function / integrated / alarm management</li> <li>product function / remote-controlled tripping</li> <li>product feature / sealable</li> <li>product function / selectable tripping characteristic</li> <li>product function / selectable RCD or monitoring mode</li> </ul>	Yes Pre-alarm indication 30% and 60% Yes Yes No Yes
position / of the infeed / on the RCD component	Top or bottom
type of electrical connection / for main current circuit	busbar connection
set values / of the limit value of not tripping time	0;0.06;0.15;0.3;0.5;1.0;2.0;3.0;5.0;10.0
type of trip indicator / electrical	Yes
type of trip indicator / communication	Yes
power loss [W] / maximum	24.3 W
operating frequency / rated value / maximum	60 Hz
height	115 mm
width	105 mm
depth	86 mm
net weight	1 294 g
ambient temperature / during operation <ul style="list-style-type: none"> <li>minimum</li> <li>maximum</li> </ul>	-25 °C 70 °C
ambient temperature / during storage <ul style="list-style-type: none"> <li>minimum</li> <li>maximum</li> </ul>	-40 °C 80 °C
Certificates	
General Product Approval	EMC
	Declaration of Con-



[Miscellaneous](#)



Declaration of Con-  
formity

Marine / Shipping

other

Dangerous Good



EG-Konf.



LRS

[Confirmation](#)

[Miscellaneous](#)

[Miscellaneous](#)

[Transport Information](#)

## Environment

[Environmental Con-  
firmations](#)

## Further information

**Siemens has decided to exit the Russian market (see here).**

<https://press.siemens.com/global/en/pressrelease/siemens-wind-down-russian-business>

**Siemens is working on the renewal of the current EAC certificates.**

Please contact your local Siemens office on the status of validity of the EAC certification if you intend to import or offer to supply these products to an EAC relevant market (other than the sanctioned EAEU member states Russia or Belarus).

**Information on the packaging**

<https://support.industry.siemens.com/cs/ww/en/view/109813875>

**Information- and Downloadcenter (Catalogs, Brochures,...)**

<http://www.siemens.com/lowvoltage/catalogs>

**Industry Mall (Online ordering system)**

<https://mall.industry.siemens.com/mall/en/en/Catalog/product?mlfb=3VA9223-0RL30>

**Service&Support (Manuals, Certificates, Characteristics, FAQs,...)**

<https://support.industry.siemens.com/cs/ww/en/ps/3VA9223-0RL30>

**Image database (product images, 2D dimension drawings, 3D models, device circuit diagrams, ...)**

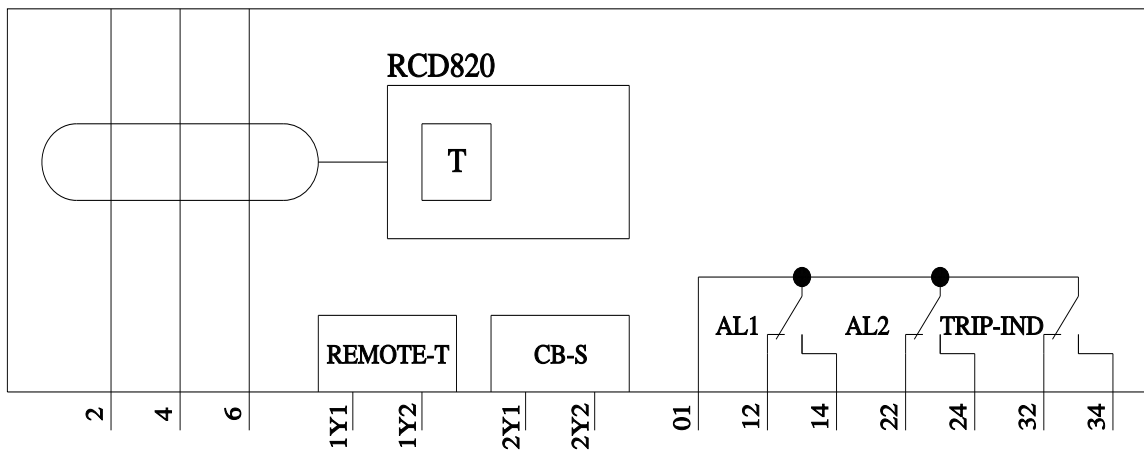
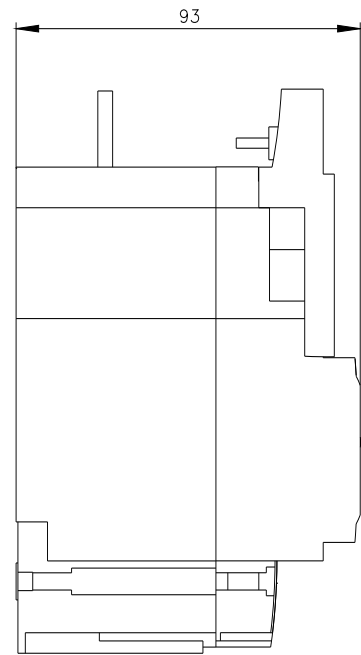
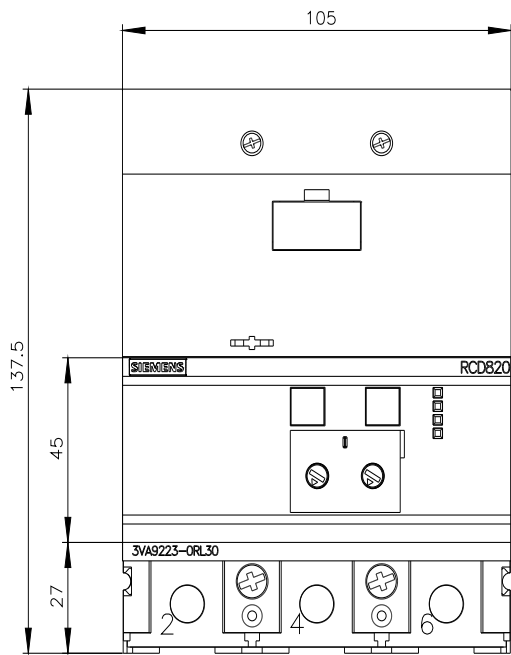
[http://www.automation.siemens.com/bilddb/cax\\_en.aspx?mlfb=3VA9223-0RL30](http://www.automation.siemens.com/bilddb/cax_en.aspx?mlfb=3VA9223-0RL30)

**CAX-Online-Generator**

<http://www.siemens.com/cax>

**Tender specifications**

<http://www.siemens.com/specifications>



last modified:

8/15/2023

