

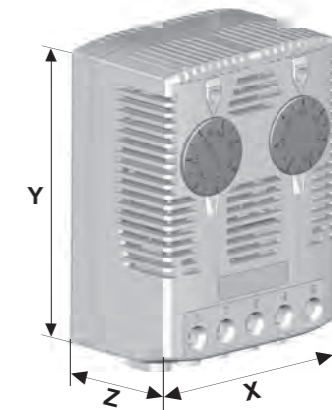
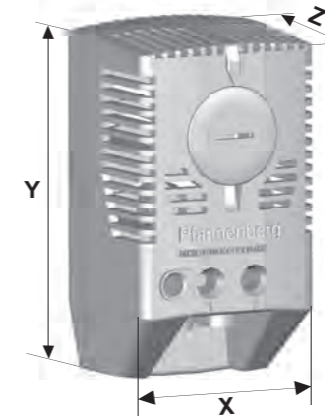
# Hygrostat FLZ 600 Hygrostat-thermostat combination device FLZ 610



Hygrostats from the FLZ series switch on control cabinet heaters or filterfans when a preset relative humidity is exceeded. The relative humidity is kept above the dew point and the condensation of water on electrical components and the corrosion of unprotected sheet metal is prevented. The electronic combination device unites thermostat and hygrostat in one housing and, at the same time, monitors the relative humidity and the temperature independently of each other.

### Dimensions

mm	FLZ 600	FLZ 610
X	37	59
Y	64	80.5
Z	46	38
	FLZ 600	FLZ 610



Data	FLZ 600	FLZ 610	Unit
Article number	17207000000	17218100000	
Device implementation	mechanical hygrostat	electronic hygrostat-thermostat combination device	
Type of contact	changeover with spring contact	changeover/relay	
Rated voltage	–	230 V AC 50 / 60 Hz <sup>1</sup>	
Setting range	40 - 90% R.H.	0 °C (+32 °F) ... +60 °C (+140 °F)	
Switching temperature difference	approx. 5%	approx. 2 K ± 1 K / approx. 4% R.H. ± 1%	
Switching point tolerance	± 4 <sup>2</sup>	–	K
Contact resistance	–	< 10	mΩ
Max. switching power value in brackets:	N.C. 24 - 250 V AC / 2 (0.2) A – min. 100 mA	240 V AC, 8 (3) A or 120 V AC, 8 (3) A	
inductive load at cos φ = 0.6	N.O. 24 - 250 V AC / 5 (0.2) A – min. 100 mA	24 V DC, 4 A	
	DC max. 30	–	W
Operating temperature range	0 ... + 60 (+ 30 ... + 140)	- 20 ... + 60 (- 4 ... + 140)	°C (°F)
Storage temperature range	- 40 ... + 80 (- 40 ... + 176)		
Probe type	polyamide belt	–	
System of protection	IP 20		
Weight	55	85	g
Type of connection	screw terminal for cable cross-section 0.5 to 2.5 mm <sup>2</sup>		
Operating display	–	LED	
Suitable for the operation of	fan and heater		
Type of mounting	snap fastening for 35 mm profile bars according to EN 60715		
Colour	RAL 7035		
Accessories	Piece	Article number	Information on page
Thermostat	1	17207000000	188/190
Internal enclosure fan	1	18110000000	71

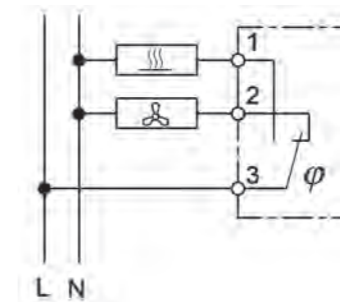
<sup>1</sup> alternatively available in 115 V AC (17218151000)

<sup>2</sup> in relation to 50% R.H.

Approvals see page 175

### Schematics

#### FLZ 600



#### FLZ 610

