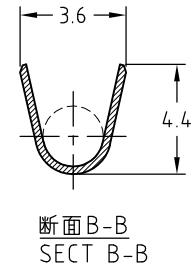
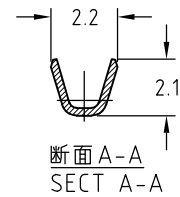
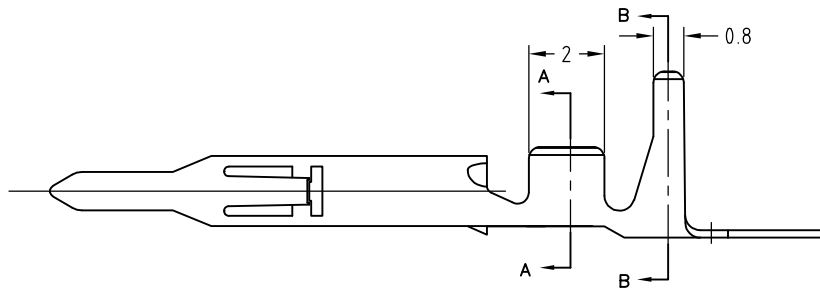
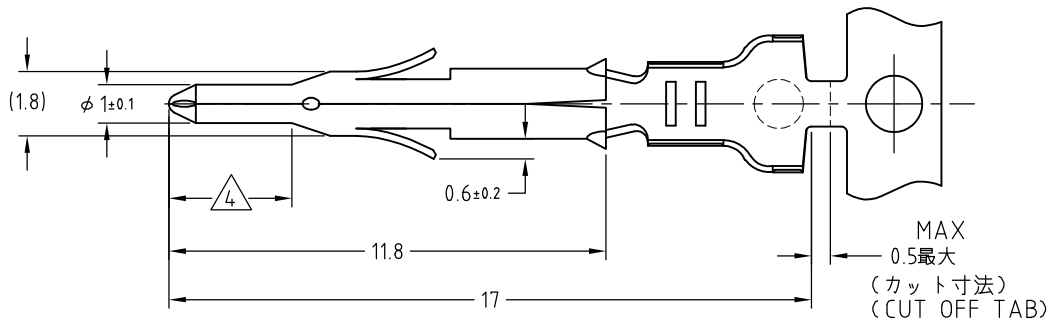


LOC	DIST	REVISIONS					
J	—	P	LTR	DESCRIPTION	DATE	DWN	APVD
		J		REDRAWN WITH CHANGE ECR-08-001585	18JAN'08	J.S	S.M
		K		REVISED ECR-09-010459	8MAY2009	Y.Y	N.Y



注記

1. 使用ハウジングはキャップ及びプラグ
- △ 2本圧着の被覆外径は3.4mm最大
3. 取扱説明書：IS-105J
- △ 全面ニッケルメッキの上に0.76μm最小の金メッキを施す。

NOTES

1. APPLICABLE HOUSING : CAP AND PLUG.
- △ APPLICABLE INSULATION DIA METER FOR TWO-WIRE CRIMP IS 3.4mm MAX.
3. INSTRUCTION SHEET : IS-105J
- △ SELECTIVE GOLD PLATED AREA 0.76μm MIN THK OVER Ni PLATED.

170361,170362 170365,170366	170364-4	PRE TIN PHOS BRO 0.2t 錫めっき済磷青銅 0.2t	170360-4
	170364-3	BRASS 0.2t 黄銅 0.2t	170360-3
	170364-1	PRE TIN BRASS 0.2t 錫めっき済黄銅 0.2t	170360-1
かん合相手型番 MATING CON'T	ばら状態型番 LP.NO	材料 MATERIAL	型番 P/N

WIRE RANGE 総合電線断面積 AWG#22~#18 0.30~0.59mm² INSULATION DIA 被覆外径 △ 1.5~2.4mm

DIMENSIONS: ??? ? mm	DWN	J.SATO	18JAN2008	MATERIAL	??	SEE TABLE	FINISH	??
	CHK	S.MANABE	18JAN2008	Tyco Electronics Corporation Kawasaki, Japan				
TOLERANCES UNLESS OTHERWISE SPECIFIED: ????	APVD	S.MANABE	18JAN2008					
0 PLC ± ±0.3	PRODUCT SPEC	108-5138	NAME ?? MINI UNIVERSAL MATE-N-LOK PIN CONTACT					
1 PLC ±	APPLICATION SPEC	114-5050	SIZE	A4	CAGE CODE	00779	DRAWING NO	??
2 PLC ±	WEIGHT		DRAWING NO		C-170360		RESTRICTED TO	
3 PLC ±	CUSTOMER DRAWING	SCALE		4:1		SHEET		1 OF 1
4 PLC ±		REV		K				
ANGLES ±								

THIS DRAWING IS UNPUBLISHED.

ALL RIGHTS RESERVED.

BY TYCO ELECTRONICS CORPORATION.

COPYRIGHT