



## Main

Product or component type	Servo motor
Device short name	BCH

## Complementary

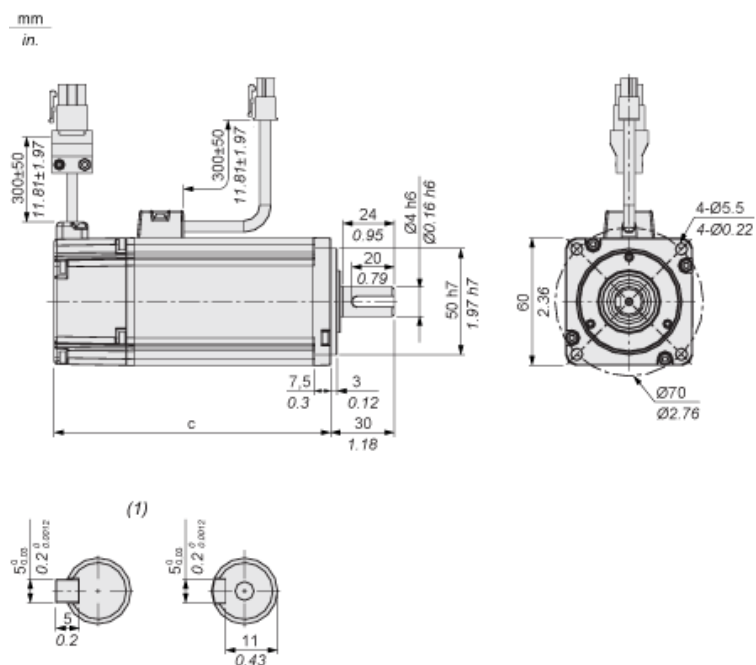
Range compatibility	Lexium 23 Plus
Maximum mechanical speed	5000
[Us] rated supply voltage	220 V
Network number of phases	Single phase
Continuous stall current	2.6 A
Continuous stall torque	1.27 N.m for LXM23 at 0.4 kW 220 V single phase
Continuous power	0.4 kW
Peak stall torque	3.82 N.m for LXM23 at 0.4 kW 220 V single phase
Nominal output power	400 W for LXM23 at 0.4 kW 220 V single phase
Nominal torque	1.27 N.m for LXM23 at 0.4 kW 220 V single phase
Nominal speed	3000 rpm for LXM23 at 220 V single phase
Maximum current Irms	7.8 A for LXM23 at 0.4 kW 220 V single phase
Product compatibility	Servo drive for LXM23 at 0.4 kW 220 V single phase Servo drive for LXM23 at 0.4 kW 220 V three phase
Shaft end	Smooth shaft
Second shaft	Without second shaft end
Shaft diameter	14 mm
Shaft length	24 mm
Feedback type	20 bits incremental encoder
Holding brake	Without
Mounting support	Asian standard flange
Motor flange size	60 mm
Electrical connection	Flying leads
Torque constant	0.49 N.m/A
Back emf constant	17.4 V/krpm at 20 °C
Rotor inertia	0.277 kg.cm <sup>2</sup>
Stator resistance	3.1 Ohm at 20 °C
Stator inductance	13.42 mH at 20 °C
Stator electrical time constant	4.3 ms at 20 °C
Maximum radial force Fr	196 N
Maximum axial force Fa	68 N
Brake pull-in power	6.5 W
Type of cooling	Natural convection
Length	130.7 mm
Number of motor stacks	2

Centring collar diameter	50 mm
Centring collar depth	3 mm
Number of mounting holes	4
Mounting holes diameter	5.5 mm
Circle diameter of the mounting holes	70 mm
Distance shaft shoulder-flange	24 mm
Product weight	1.6 kg

## Environment

IP degree of protection	IP40
Ambient air temperature for operation	0...40 °C

Dimensions



(1) Shaft end, keyed slot (optional)

Dimensions in mm

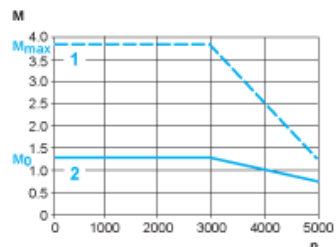
c (without holding brake)	c (with holding brake)
130.7	166.8

Dimensions in in.

c (without holding brake)	c (with holding brake)
5.14	6.57

Torque/Speed Curves with 220 V Single Phase Supply Voltage

Servo Motor with LXM23-U04M3X Servo Drive



- M : Torque in Nm
- n : Speed in rpm
- 1 : Peak torque
- 2 : Continuous torque