

# BoLink

Enclosure with wall brackets and lid fixing from the top, IP40 (IP65)



BL 704015 WL2 DO-9005

Order no.: 16174365

\* = Available on request.

## Characteristics

Colour of enclosure group

Black

Protection class

IP 40, 65

Enclosure Material

Enclosure: PC UL 94 V0

Seal: TPE

For details see technical information

Scope of delivery

Lid and base, 4 screws

Note

Upgradable to IP 65 with design seal BL\_DI (16374005 Black, 16374003 White, 16374001 Signal red, 16374002 Signal blue).

## Important!

To compensate for pressure when temperatures change and cause moisture in the enclosure, we recommend that you use a pressure compensation element.

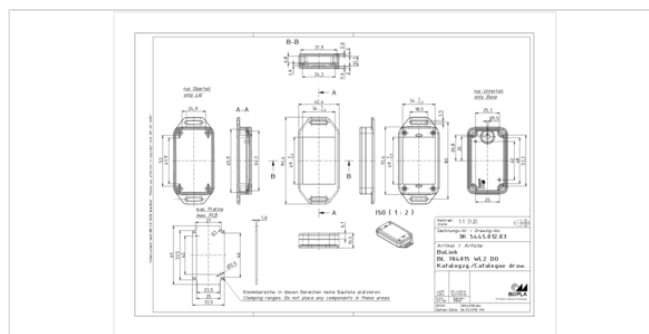
» Additional information

## Dimensions

Dimensions

70.4 x 42.4 x 15.5 mm

Product drawing



## Technical documentation / Downloads

---

### Technical drawings

3D product data in STEP format: Registration necessary  
Drawing for mechanical processing: 16174365 BL-704015-WL2-DO-9005-G.dxf (655.6 KB)

Milling contours are shown here as a DXF file. (Sub D, USB, HDMI, cable glands, ...)

Product drawing in PDF format: 16174365 BL-704015-WL2-DO-9005.pdf (173.7 KB)

Product drawing in DXF format: 16174365 BL-704015-WL2-DO-9005.dxf (1.4 MB)

### Works Test Certificates

802 WPZ-BoLink DE.pdf (156.1 KB)

802 WPZ-BoLink EN.pdf (154.6 KB)

### Product information

BoLink GB.pdf (2.3 MB)

## Matching accessories

---



### Design seal, IP65

16374005	BL 7040 DI-9005	Black
16374003	BL 7040 DI-9016	White
16374001	BL 7040 DI-3001	Signal red
16374002	BL 7040 DI-5005	Signal blue



### Pressure compensation membrane DAE

52011000	DAE-D11	Self-adhesive membrane $\varnothing$ 11 mm
----------	---------	--