

**TG10Z0513FCS**

**Aspherical Varifocal Lens  
10X 5-50mm F1.3 for format cameras  
CS-Mount**

with Focus, w/o Amplifier

Model No.	TG10Z0513FCS		Effective	Front	φ 29.5mm
Focal Length	5 ~ 50 mm		Lens Aperture	Rear	φ 8.7mm
Max. Aperture Ratio	1 : 1.3		Back Focal Length	Tele	10.6mm
Max. Image Format	4.8 x 3.6mm (φ 6mm)			Wide	10.5mm
Operation Range	Iris	F1.3 ~ 360	Flange Back Length		12.5mm
	Focus	0.8m ~ Inf.	Mount		CS-Mount
	Zoom	5 ~ 50 mm.	Filter Size		M37.5 P=0.5mm
Control	Iris	Auto Iris	Dimensions		φ 41.7 x 57.5 x 57.7mm
	Focus	Manual	Weight		g
	Zoom	Manual			
Object Dimension at M.O.D.	5 mm	77.7 x 57cm			
	50 mm	7.8 x 6.0cm			
Angle of View	D	64~6.9°	1/4"	48.8~5.3°	
	H	51.8~5.6°		39.2~4.3°	
	V	39.2~4.3°		29.5~3.2°	
Coil	Drive	190 ohm			
	Control	1000 ohm			
Operating Temperature	-20° C ~ +50° C				

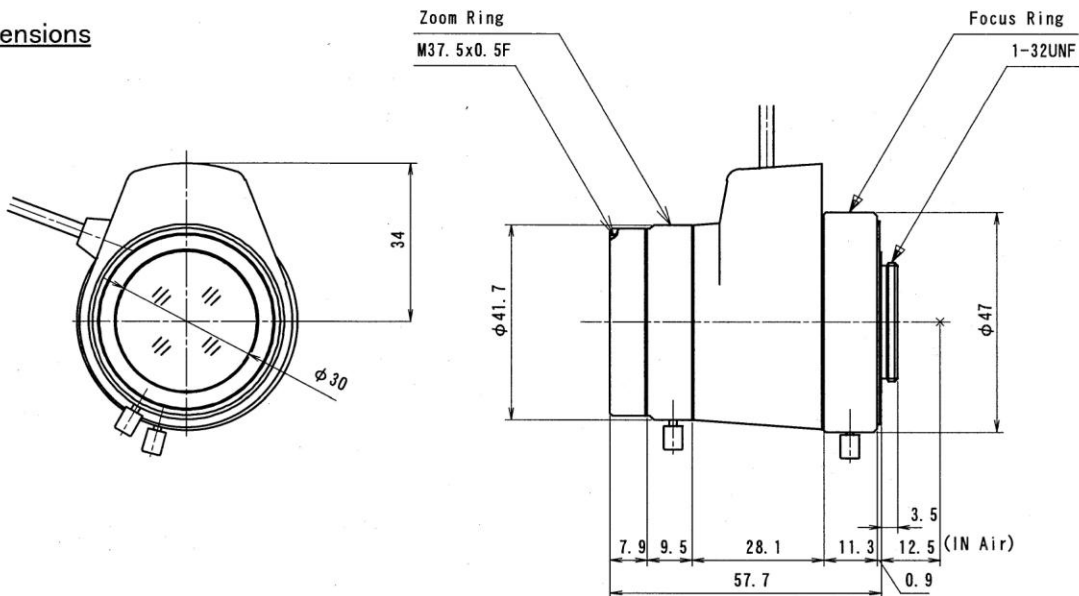
1/3

CS

AG

M.O.D. : Minimum Object Distance

Dimensions



Z

SP

Wiring Diagram

