

SIRIUS CABLE-OPER. SWITCH METAL HOUSING,2X M20X1.5 2NC, LATCHES ACC. EN ISO 13850 BUTTON RESET FOR CABLES UP TO TO 10M



General technical details:		
product designation		cable-operated switch
Number of indicator lights		0
Type of unlocking device		push-to-unlatch mechanism
Rope length / maximum	m	10
Product component / EMERGENCY STOP device		Yes
Item designation / according to DIN 40719 extendable after IEC 204-2 / according to IEC 750		S
Item designation / according to DIN EN 61346-2		S
Width	mm	52
Height	mm	164.5
Depth	mm	57.5
Enclosure:		
Type of mounting		screw fixing
material / of the housing		metal
Color / of the top part of housing		grey
Contact:		
Number of NC contacts / for auxiliary contacts		2
Number of NO contacts / for auxiliary contacts		0

Switching function / arresting lock

Yes

Certificates/approvals:

General Product Approval

Declaration of Conformity



Shipping Approval

other



[Confirmation](#)

Ambient conditions:

Protection class IP

IP65

Ambient temperature

- during operating

°C

-25 ... +70

Further information:

Information- and Downloadcenter (Catalogs, Brochures,...)

<http://www.siemens.com/industrial-controls/catalogs>

Industry Mall (Online ordering system)

<http://www.siemens.com/industrial-controls/mall>

CAX-Online-Generator

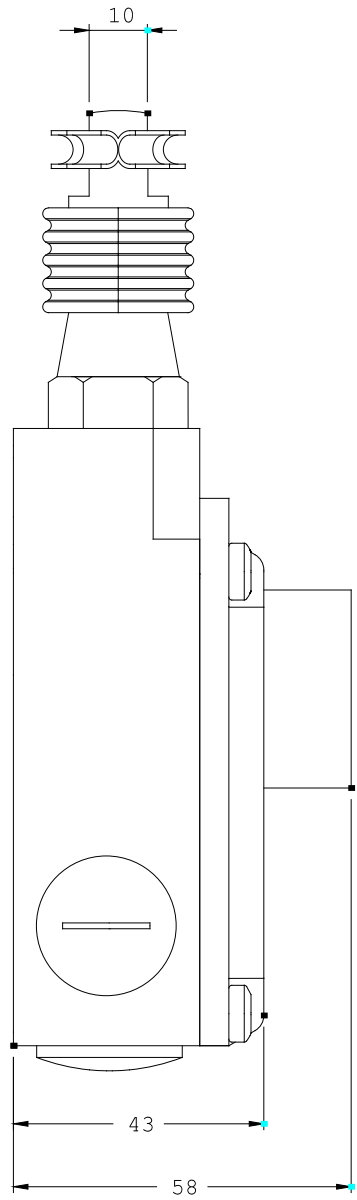
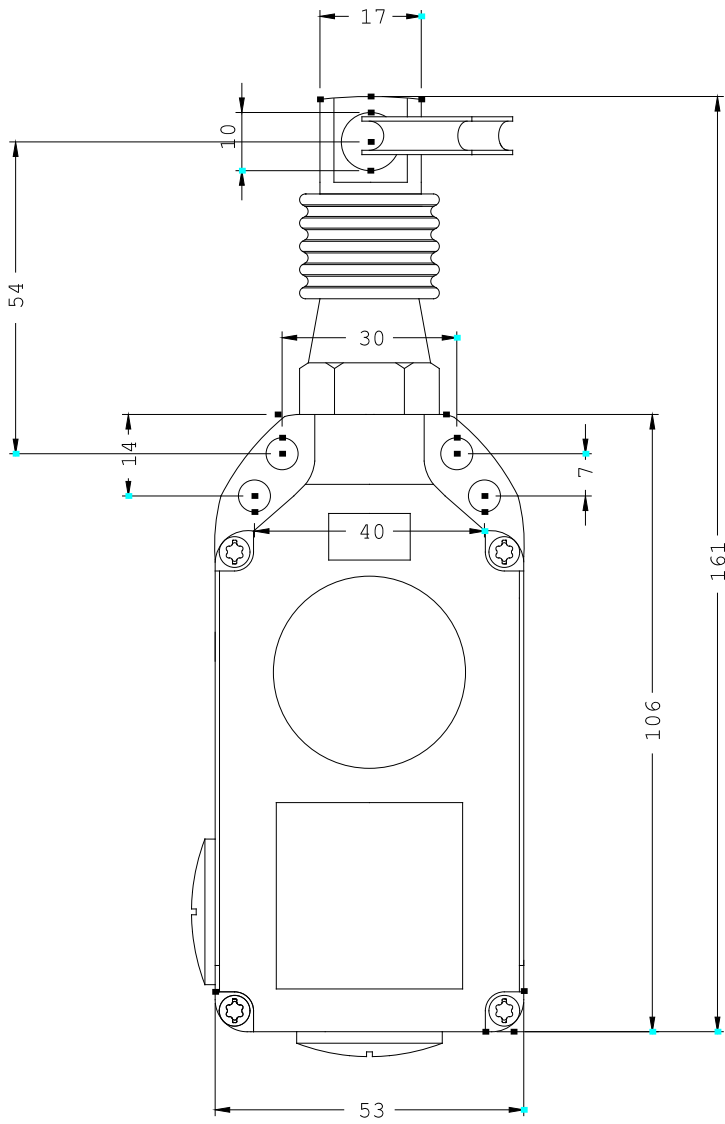
<http://www.siemens.com/cax>

Service&Support (Manuals, Certificates, Characteristics, FAQs,...)

<http://support.automation.siemens.com/WW/view/en/3SE7120-1BF00/all>

Image database (product images, 2D dimension drawings, 3D models, device circuit diagrams, ...)

http://www.automation.siemens.com/bilddb/cax_en.aspx?mlfb=3SE7120-1BF00



last change:

Apr 30, 2012