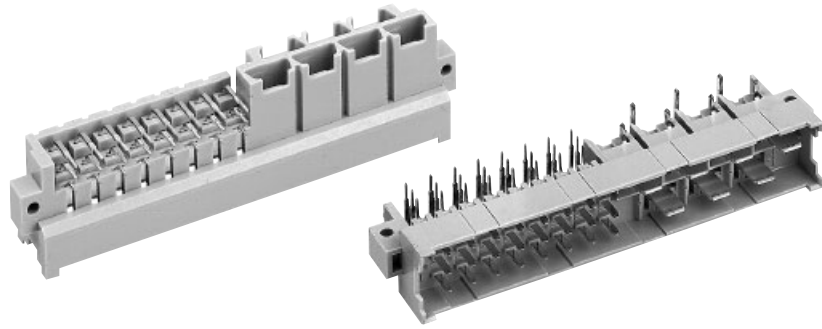


Number of contacts

**24 + 7**  
F + H

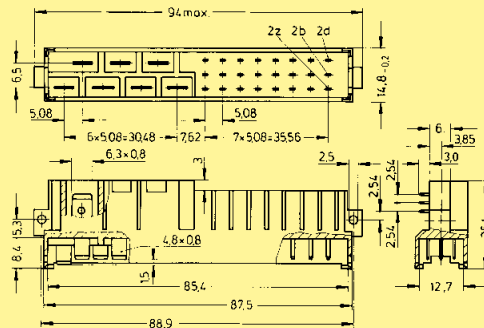


Male connectors

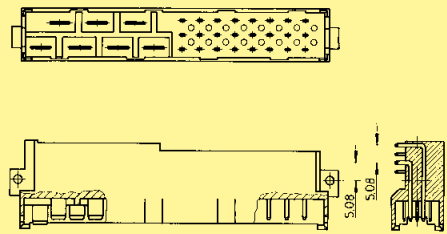
Identification	Number of contacts	Part No. Performance levels according to IEC 60 603-2. Explanation chapter 00		
		3	2	1
Male connector for faston 6.3 x 2.5  1 leading contact (position z 32)  2 leading contacts (position z 2 + z 32)	24 + 7		09 06 031 6921 <sup>1)</sup>	09 06 031 2921 <sup>1)</sup>
	24 + 7		09 06 031 6923 <sup>1)</sup>	
Male connector with angled solder pins <sup>1)</sup>  1 leading contact (position z 32)  2 leading contacts (position z 2 + z 32)	24 + 7		09 06 131 6922	
	24 + 7		09 06 131 6924 09 06 331 6924 <sup>b)</sup>	

DIN Power up to 15 A

Faston terminal

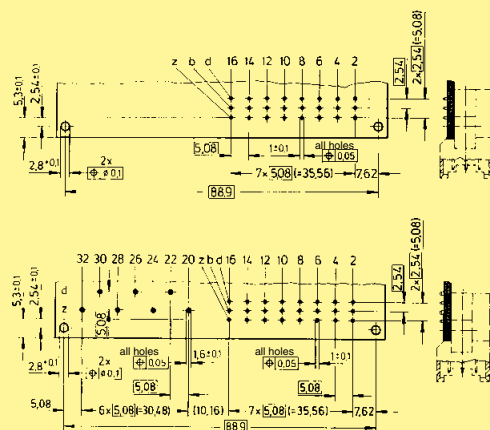


Angled solder pins



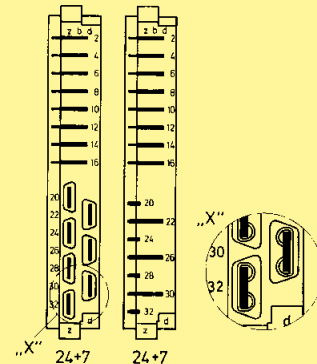
## Board drillings

Mounting side



## Contact arrangement

View from termination side



Dimensions in mm

<sup>1)</sup> With shroud coding, see chapter 00  
<sup>b)</sup> Connector with fixing clip see chapter 00  
<sup>1)</sup> Railway classification NFF 16-101, Smoke index: F1, Flammability class: I2