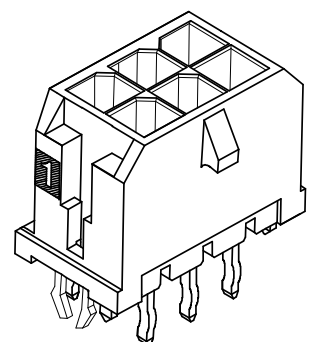
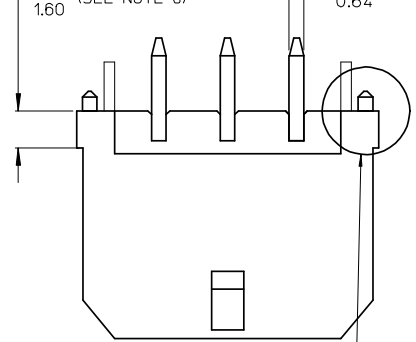
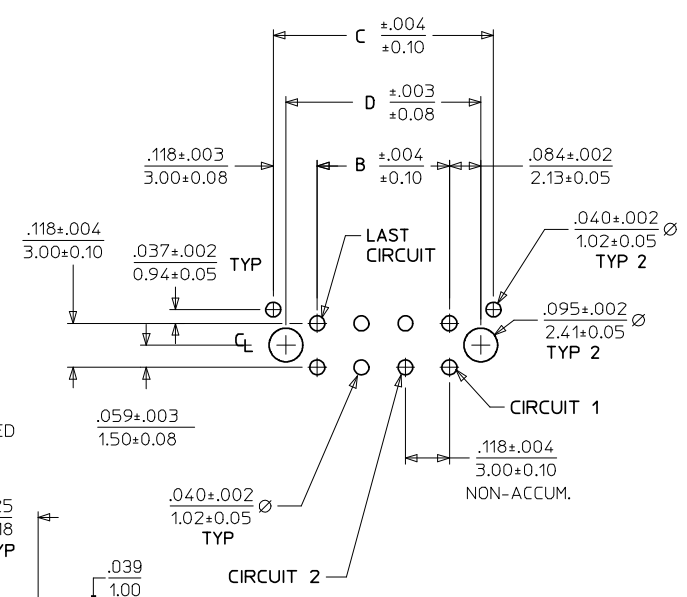
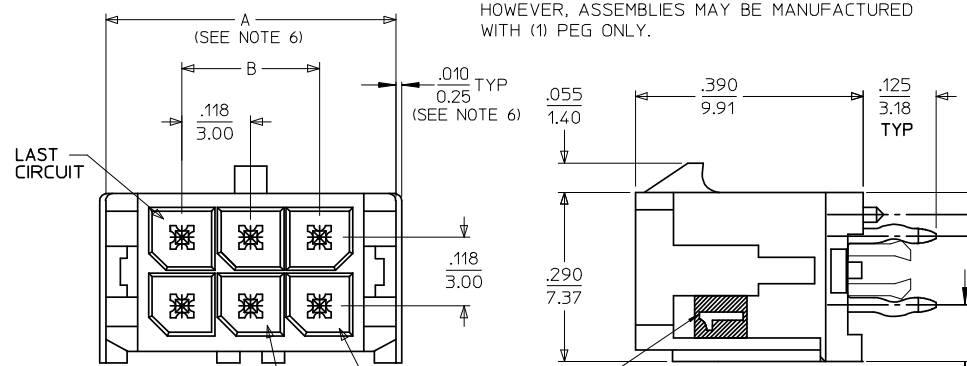


.063  
1.60 (SEE NOTE 6)

.025  
0.64 SQ TYP



NOTE : (2) POLARIZATION PEGS ARE SHOWN.  
HOWEVER, ASSEMBLIES MAY BE MANUFACTURED  
WITH (1) PEG ONLY.



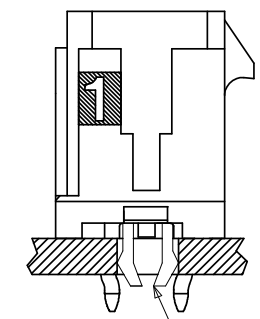
PCB LAYOUT: COMPONENT SIDE  
RECOMMEND PCB THICKNESS: .062/1.57

| CKTS | A<br>(SEE<br>NOTE 6) | B              | C              | D              |
|------|----------------------|----------------|----------------|----------------|
|      | 02                   | .262<br>6.65   | NA             | .236<br>6.00   |
| 04   | .380<br>9.65         | .118<br>3.00   | .354<br>9.00   | .287<br>7.30   |
| 06   | .498<br>12.65        | .236<br>6.00   | .472<br>12.00  | .405<br>10.30  |
| 08   | .616<br>15.65        | .354<br>9.00   | .591<br>15.00  | .524<br>13.30  |
| 10   | .734<br>18.65        | .472<br>12.00  | .709<br>18.00  | .642<br>16.30  |
| 12   | .852<br>21.65        | .591<br>15.00  | .827<br>21.00  | .760<br>19.30  |
| 14   | .970<br>24.65        | .709<br>18.00  | .945<br>24.00  | .878<br>22.30  |
| 16   | 1.088<br>27.65       | .827<br>21.00  | 1.063<br>27.00 | .996<br>25.30  |
| 18   | 1.206<br>30.65       | .945<br>24.00  | 1.181<br>30.00 | 1.114<br>28.30 |
| 20   | 1.325<br>33.65       | 1.063<br>27.00 | 1.299<br>33.00 | 1.232<br>31.30 |
| 22   | 1.443<br>36.65       | 1.181<br>30.00 | 1.417<br>36.00 | 1.350<br>34.30 |
| 24   | 1.561<br>39.65       | 1.299<br>33.00 | 1.535<br>39.00 | 1.469<br>37.30 |

NOTES:

- HOUSING MATERIAL: GLASS FILLED LIQUID CRYSTAL POLYMER, UL94V-0, COLOR: BLACK  
TERMINAL MATERIAL: BRASS ALLOY
- FINISH: A = .000100/(0.00254) MIN. TIN OVER .000050/(0.00127) MIN. NICKEL PLATE.  
B = .000015/(0.00038) MIN. SELECT GOLD IN CONTACT AREA, .000100/(0.00254) MIN. SELECT MATTE TIN ON SOLDER TAILS, BOTH OVER .000050/(0.00127) MIN. NICKEL PLATE.  
C = .000030/(0.00076) MIN. SELECT GOLD IN CONTACT AREA, .000100/(0.00254) MIN. SELECT MATTE TIN ON SOLDER TAILS, BOTH OVER .000050/(0.00127) MIN. NICKEL PLATE.
- \* THE PRIMARY SHIPPING CARTON WILL BE LABELED "COMPLIANT TO RoHS DIRECTIVE 2002/95/EC AND ELV ANNEX II OF DIRECTIVE 2000/53/EC." CARTONS WITHOUT THIS LABEL MAY CONTAIN PRODUCT WITH TIN/LEAD IN THE PC TAIL AREA.
- PRODUCT SPECIFICATION: PS-43045
- TRAY PACKAGED: SEE MOLEX DRAWING PK-70873-0314
- MATES WITH MICRO FIT (3.0) RECEPTACLE SERIES 43025
- .010/0.25 OFFSETS ARE PRESENT ON ALL PARTS MANUFACTURED AFTER 11/1/2007, AND ON PARTS PRIOR TO 11/1/2007 THAT CONTAIN A GREEN DOT ON THE PRIMARY SHIPPING CARTON LABEL.
- THIS PART CONFORMS TO CLASS B REQUIREMENTS OF COSMETIC SPECIFICATION PS-45499-002.

|      | FINISH A     | FINISH B     | FINISH C     |
|------|--------------|--------------|--------------|
| CKTS | MATERIAL NO: | MATERIAL NO: | MATERIAL NO: |
| 02   | 43045-0224   | 43045-0225   | 43045-0226   |
| 04   | 43045-0424   | 43045-0425   | 43045-0426   |
| 06   | 43045-0624   | 43045-0625   | 43045-0626   |
| 08   | 43045-0824   | 43045-0825   | 43045-0826   |
| 10   | 43045-1024   | 43045-1025   | 43045-1026   |
| 12   | 43045-1224   | 43045-1225   | 43045-1226   |
| 14   | 43045-1424   | 43045-1425   | 43045-1426   |
| 16   | 43045-1624   | 43045-1625   | 43045-1626   |
| 18   | 43045-1824   | 43045-1825   | 43045-1826   |
| 20   | 43045-2024   | 43045-2025   | 43045-2026   |
| 22   | 43045-2224   | 43045-2225   | 43045-2226   |
| 24   | 43045-2424   | 43045-2425   | 43045-2426   |



PRESS FIT RETENTION CLIP

|   |  |   |  |  |
|---|--|---|--|--|
| <b>ADD DIMENSIONS</b><br>EC NO: UCP2008-0324<br>DRWN:MKI/PPER 2007/12/19<br>CHKD:SSOUSEK 2007/12/20<br>APPR:FSM/LTH 2007/12/21<br>REV | <b>QUALITY SYMBOLS</b><br>▽=0<br>▽=0                       | <b>GENERAL TOLERANCES (UNLESS SPECIFIED)</b><br>DIMENSION STYLE IN/MM<br>SCALE ---<br>DESIGN UNITS METRIC<br>THIRD ANGLE PROJECTION           | DRAWN BY DATE<br>SAMIEC 2000/03/15<br>CHECKED BY DATE<br>MUELLER 2000/03/15<br>APPROVED BY DATE<br>EDGLEY 2000/03/15 | TITLE<br><b>MICRO-FIT (3.0)<br/>         DUAL ROW VERTICAL THRU<br/>         HOLE HEADER W/CLIPS</b><br><b>MOLEX INCORPORATED</b><br>DOCUMENT NO. SD-43045-009<br>SHEET NO. 1 OF 1 |
|   | DRAFT WHERE APPLICABLE<br>MUST REMAIN<br>WITHIN DIMENSIONS | SEE CHART<br>THIS DRAWING CONTAINS INFORMATION THAT IS PROPRIETARY TO MOLEX<br>INCORPORATED AND SHOULD NOT BE USED WITHOUT WRITTEN PERMISSION |  |  |
|   | G1   |   |  |  |
|   |  |   |  |  |