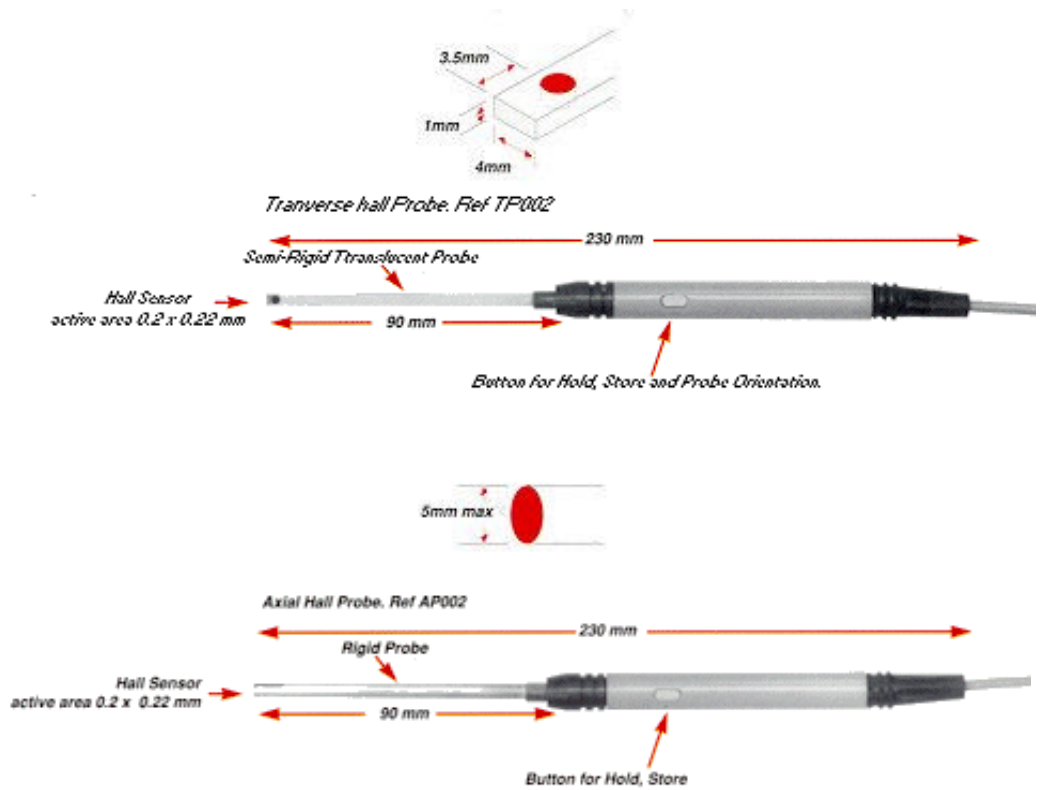


Hall Probes

- Gallium Arsenide Technology
- Compatible with Gm04, Gm05 and VGM01 Gaussmeters
- Interchangeable without re-calibration
- Visible measuring point on transverse probes
- Incorporates calibration look-up tables
- Special Probes by arrangement
- Probe polarity indication

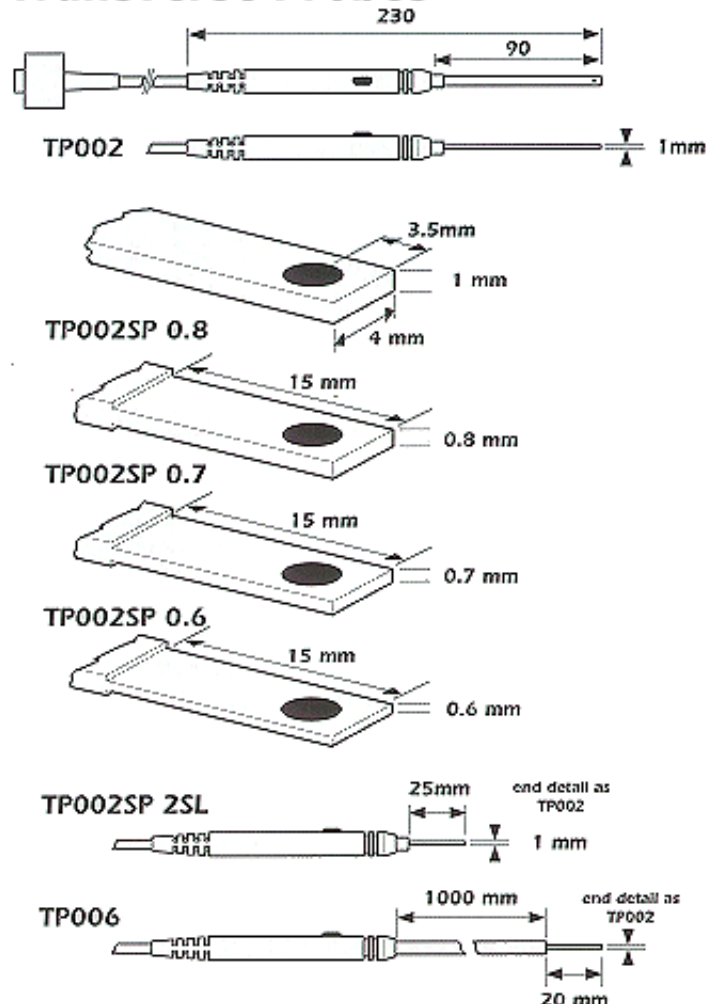


Transverse Probes

The Hirst Magnetic Instruments GM04, GM05 and VGM01 ship with our standard Transverse Hall Probe (TP002; see fig left), but we can also calibrate and supply an Axial Probe (AP002) with any of our Gaussmeters, or should neither of these suit your requirements, please contact us as we are able to manufacture probes specifically suited to your application.

All of our standard probes are compatible with the Gm04, Gm05 and VGM01 Gaussmeters and incorporate an E²PROM containing calibration data (not user accessible) which enables the probe to be used with its host Gaussmeter to obtain a $\pm 1\%$ calibration, traceable to National Physical Laboratory standards.

The probe are fitted with a push button enabling the operator to HOLD and STORE measurements and orientate the probe for polarity readings.



All probes are fully interchangeable with all gaussmeters without the need for re-calibration.

Axial Probes



For more details on our probes or if you wish to enquire about a custom probe tailored to your requirements, please [contact us](#).



[[Back](#)] [[PFM02](#)] [[Magnetisers](#)] [[Measurement Coils](#)] [[Magnet Calibration](#)] [[Fluxmeters](#)] [[Gaussmeters](#)] [[Magnetising Coils](#)] [[Hall Probes](#)] [[Reference Magnets](#)] [[Permeameters](#)] [[Hysteresismeter](#)] [[Demagnetisers](#)] [[Magnet Chargers](#)]

©1999 Hirst Magnetic Instruments Ltd. All Rights Reserved