

## Mod. G7550 - Fittings Series 7000 - Automation

Product code: G7550 8-10

Datasheet creation date: 12/12/2025 08:31

Check the most updated document online [click here](#)

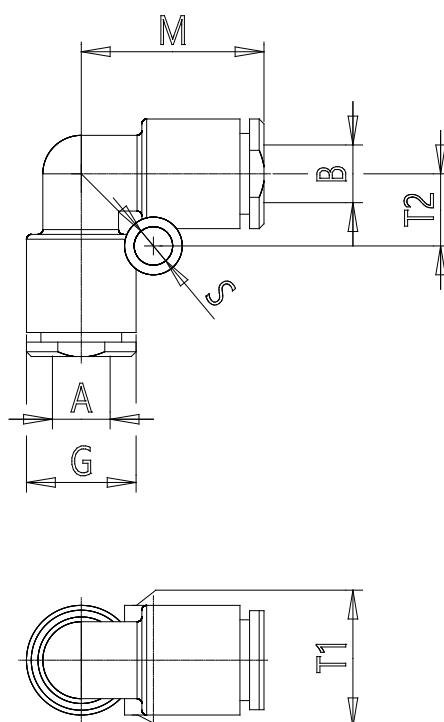


### ■ TECHNICAL DATA

Mod.	G7550 8-10
------	------------

## Mod. G7550 - Fittings Series 7000 - Automation

Product code: G7550 8-10



### DIMENSIONS

<b>A (mm)</b>	8
<b>B (mm)</b>	10
<b>GD (mm)</b>	16.3
<b>M (mm)</b>	25.0
<b>S (mm)</b>	4
<b>T1 (mm)</b>	16.3
<b>T2 (mm)</b>	8.0
<b>Weight (g)</b>	14