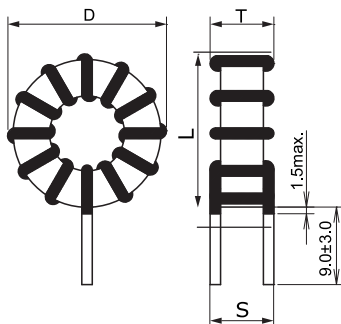


KEMET Part Number: SHBC12-1R0A0051V
(UALS121R0A0051)

KEMET, SHBC, AC Line Filters, Normal Mode, 51 uH, 20%



Dimensions

D	26mm MAX
L	26mm MAX
T	26mm MAX
LL	9mm +/-3mm
S	9mm NOM

Packaging Specifications

Packaging:	Tray
Packaging Quantity:	240
Weight:	14 g

General Information

Series:	SHBC
Style:	Through-Hole
Features:	Low Core Loss, High Frequency Drive
RoHS:	Yes
Miscellaneous:	25 (K) Temperature Rise Max.

Specifications

Inductance:	51 uH
Inductance Tolerance:	20%
Current:	5 A
Temperature Range:	-40/+125°C
DC Resistance:	28 mOhms