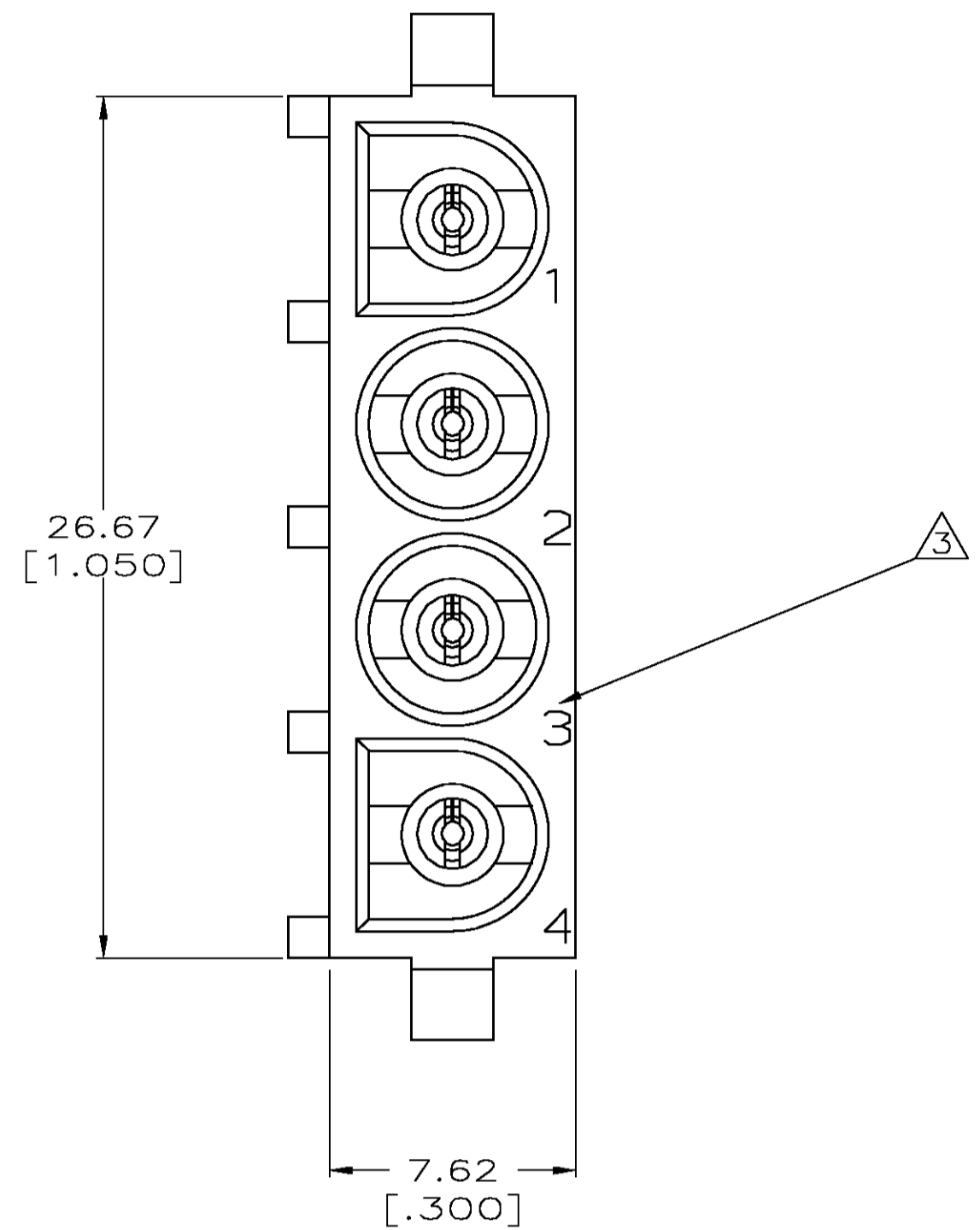
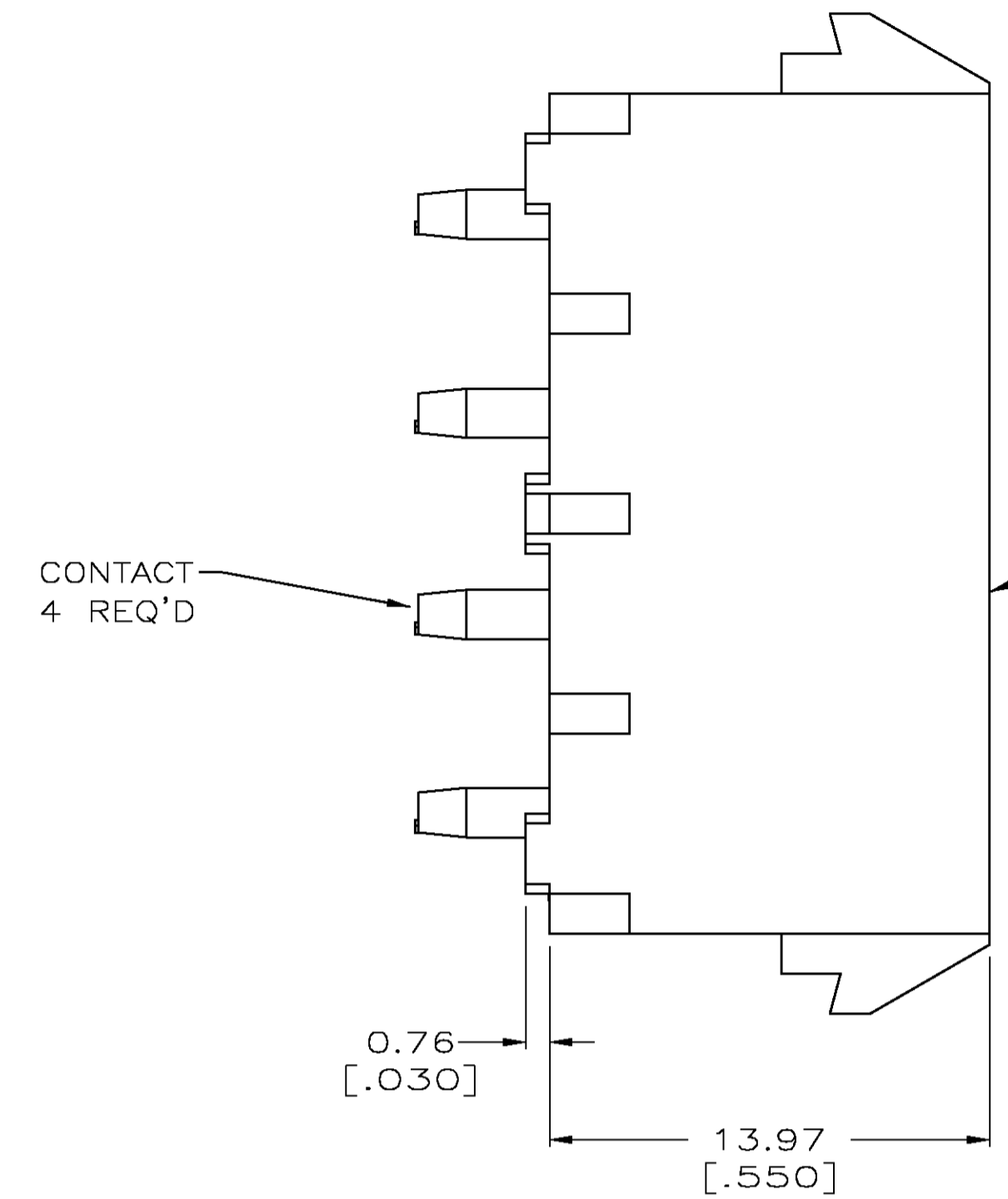
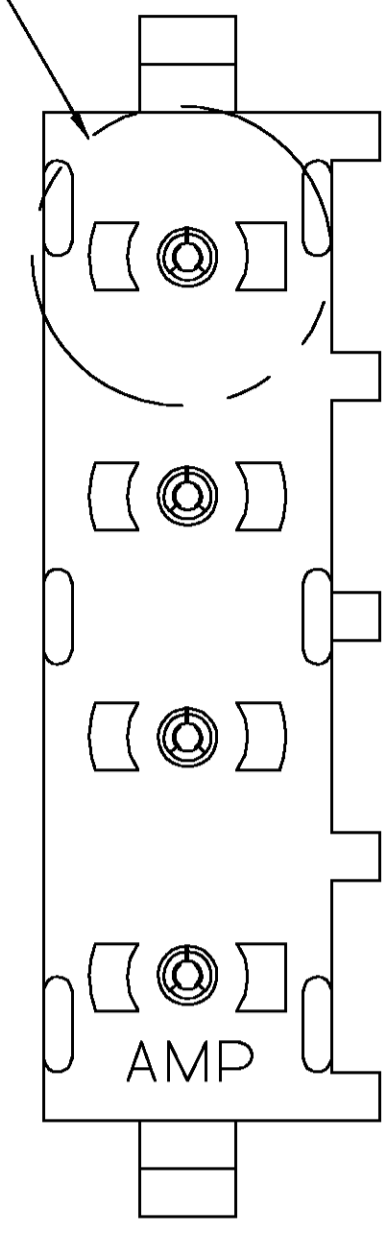
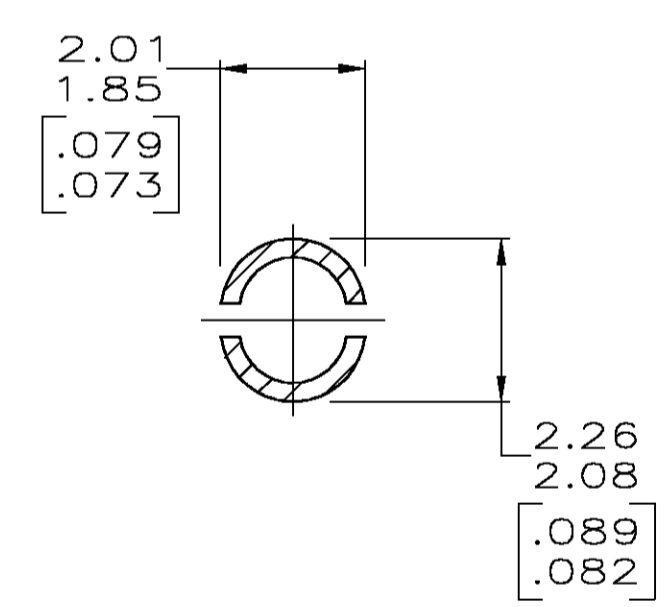
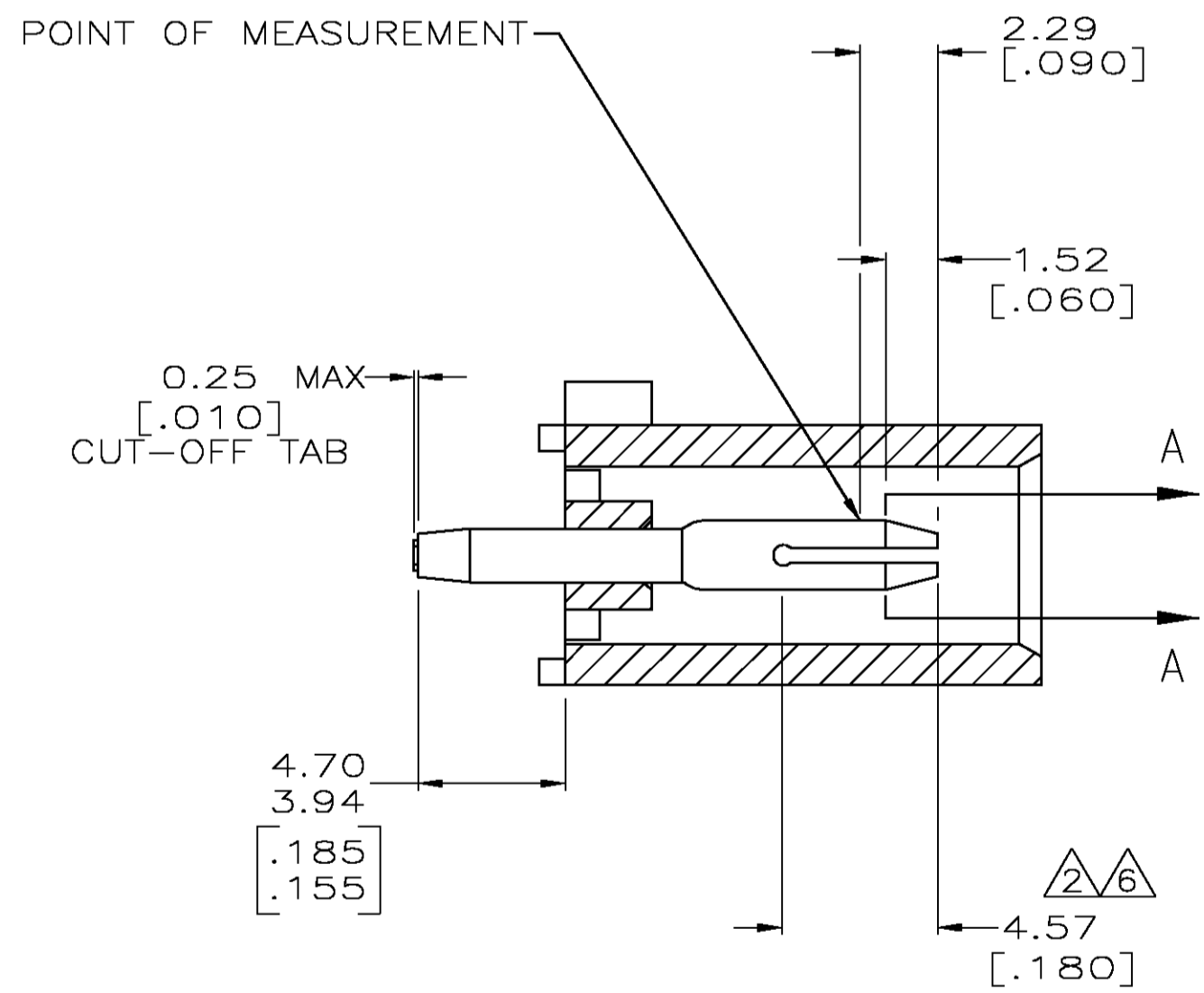


LOC		DIST		REVISIONS			
P	LR	DESCRIPTION	DATE	DN	APD		
R		REVISED PER EC 063B-1094-04	18JAN05	KW	SR		

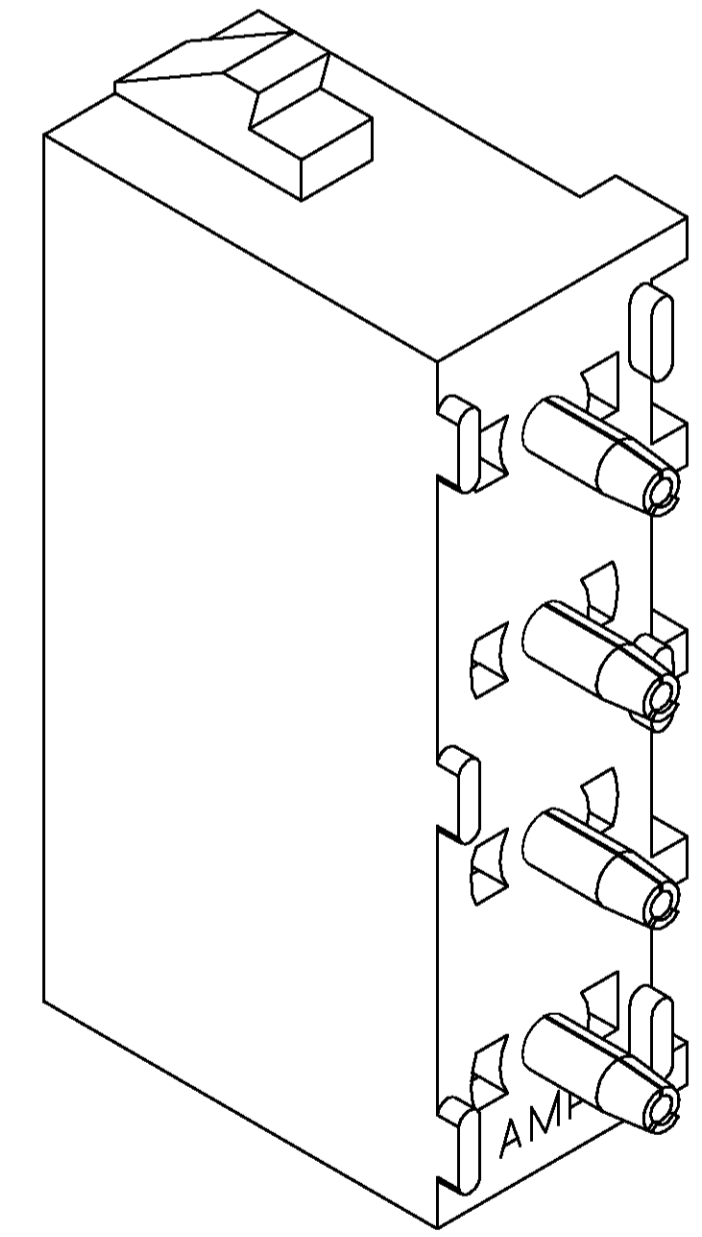
SEE DETAIL A



- PARTS COMPLY TO AMP SOLDERABILITY SPECIFICATION 109-11-3.
- CONTACT IS PLATED OVERALL WITH 0.00127 [.000050] NICKEL, THEN 0.00076 [.000030] GOLD OVER CONTACT LENGTH INDICATED AND MATTE TIN LEAD ON SOLDER TAIL END.
- CIRCUIT IDENTIFICATION CHARACTERS ARE ADJACENT TO THE INDICATED CAVITIES, BUT LOCATION AND ORIENTATION MAY DIFFER FROM PRINT.
- DIMENSIONS IN BRACKETS ARE IN INCHES.
- DRAIN HOLES LOCATED AS SHOWN. OPTIONAL CONSTRUCTION - ALL DRAIN HOLES LOCATED 90° AS SHOWN IN DETAIL A.
- CONTACT IS PLATED OVERALL WITH 0.00127 [.000050] NICKEL, THEN 0.00076 [.000030] GOLD OVER CONTACT LENGTH INDICATED AND MATTE TIN ON SOLDER TAIL END.

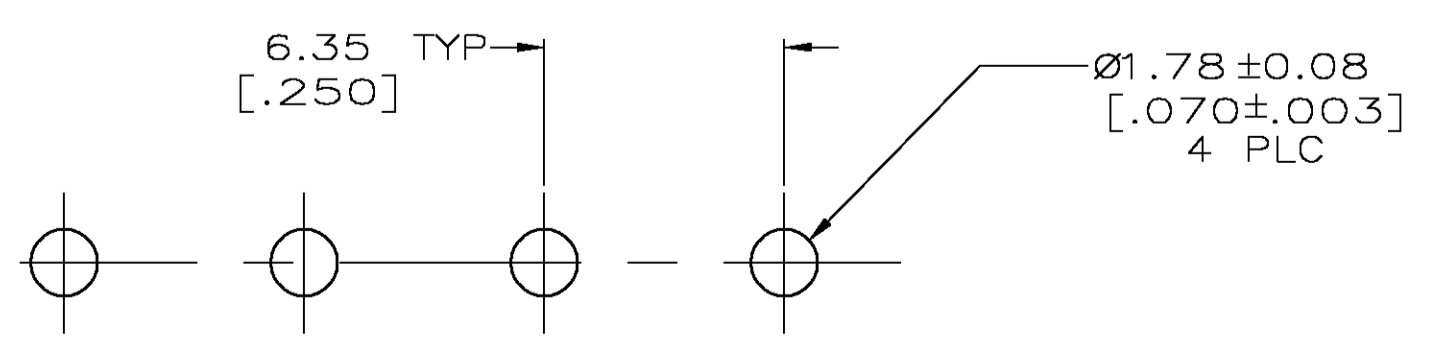


SECTION A-A
SCALE 10:1



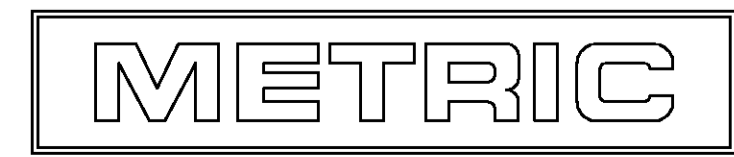
3-DIMENSIONAL MODEL
NTS

DETAIL A
OPTIONAL CONSTRUCTION



RECOMMENDED MOUNTING HOLE PATTERN
FOR 1.52 [.062] THICK P.C. BOARD

PHOSPHOR BRONZE, GOLD	NYLON,UL94V-0,WHITE	350792-3
PHOSPHOR BRONZE, GOLD	NYLON,UL94V-0,WHITE	350792-2
PHOSPHOR BRONZE, PRE-TIN	NYLON,UL94V-0,WHITE	350792-1
PIN CONTACT AND FINISH	HOUSING MATERIAL	PART NUMBER



THIS DRAWING IS A CONTROLLED DOCUMENT.		DN B LEWIS 10-05-98	Tyco Electronics Corporation Greensboro, NC 27409
DIMENSIONS: mm [INCHES]		CHK R SWING 10-05-98	
TOLERANCES UNLESS OTHERWISE SPECIFIED:		APVD M TRULL 10-05-98	PIN HEADER ASSEMBLY, 4 CIRCUIT UNIVERSAL MATE-N-LOK™
0 PLC ± -		PRODUCT SPEC	
1 PLC ± -		APPLICATION SPEC	SIZE CAGE CODE DRAWING NO
2 PLC ± 0.13 [.005]		WEIGHT	A1 00779 C=350792
3 PLC ± -		CUSTOMER DRAWING	SCALE 5:1 SHEET 1 OF 1 REV R
4 PLC ± -			
ANGLES ± -° 30'			
FINISH			