

Taxxo 612 AC Operating Hour Meter

SPECIFICATION SHEET

Taxxo 612 (FWZ 36 K)



TAX61223050 (230v 50Hz)
 TAX61211050 (110v 50Hz)
 TAX6122450 (24v 50Hz)

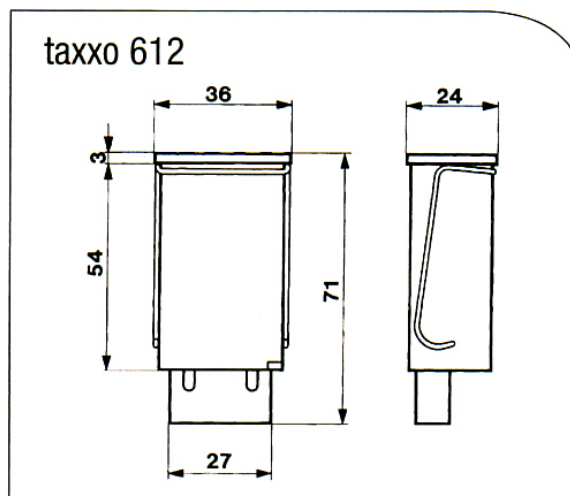
The Taxxo 612 (FWZ 36 K) is a panel mounted hours-run meter. Standard voltage / frequency 230v AC 50Hz. Optional voltages available on request.

All terminals are shrouded screw type

The readout counts up to 99,999.99 hours.
 This is a non resettable instrument.

Specification:

Dimensions H x W x D (mm)	---	24 x 36 x 57
Switchboard panel (mm)	---	22 x 33
Mounting depth (mm)	---	68
Weight (g) approx.	---	34
Power consumption	---	Approx. 1 VA
Ambient temperature	---	-20°C ... +55°C
Protection class	---	II
Protection type front	---	IP 20 (IP54 with sealing s. accessories)
Accuracy	---	Synchronic to network
Metering capacitance	---	99999,99
Run display	---	Yes
Assembling mode	---	Integration
Connection type	---	Screw terminals



Taxxo 112—dimensional details