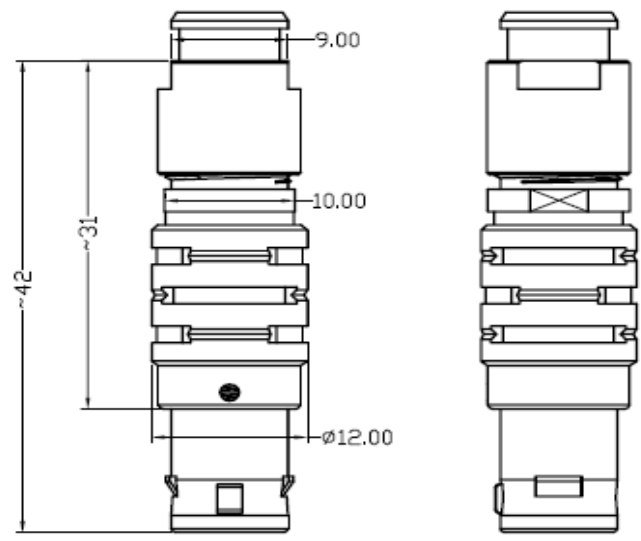


NOTE:

- MATERIAL AND FINISH
 - SHELL ASSEMBLY: COPPER ALLOY, OUTER SHELL AND COLLET NUT Cr PLATING, OTHER METALLIC COMPONENTS NI PLATING
 - INSULATOR: PEEK
 - CONTACT: COPPER ALLOY, GOLD PLATING
- RoHS COMPLIANCE
- PART NO.



R - F 1 B S * * 0 * D 1 * * *

CONTACT POS.	02-16=2pin-16pin
SHELL MATERIAL	0=Brass

CABLE OD	
42=OD	3.1mm-4.2mm
52=OD	4.2mm-5.2mm
62=OD	5.2mm-6.2mm
72=OD	6.2mm-7.2mm
76=OD	7.2mm-7.6mm

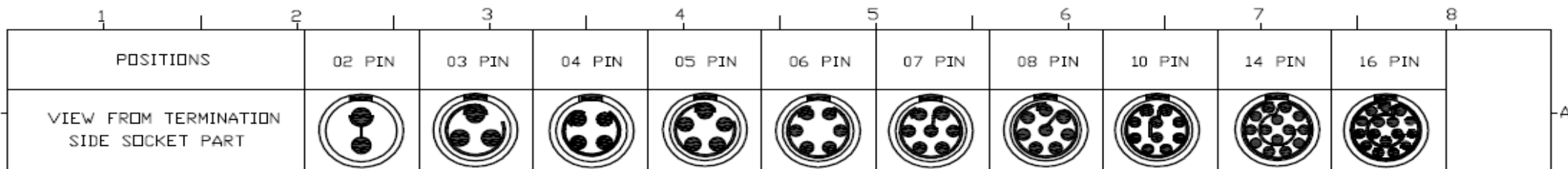
CODE	KEY ANGLES
0	0
A	30°
B	60°
"	"

CODE	CONTACT TYPE
2	Male Solder Contact
4	Female Solder Contact
C	CrImp Male Contact
M	CrImp Female Contact

COLLET NUT
1=Nut for fitting a bend relief

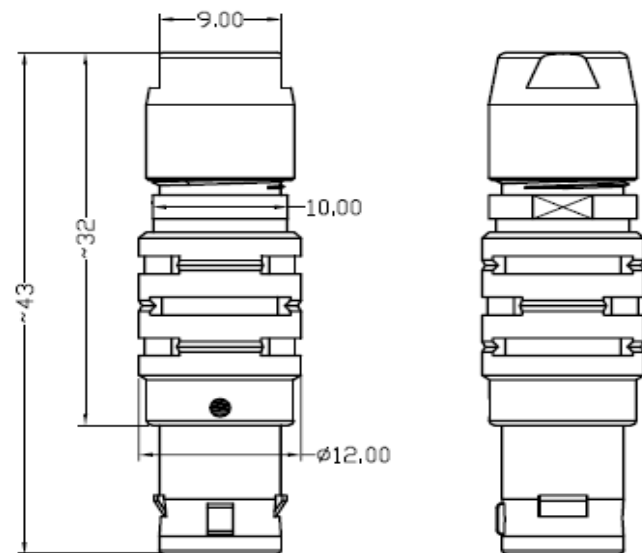
UNITS ■mm □INCH		NAME: SNAP LATCH METAL 1B PLUG	
GENERAL TOLERANCES: (UNLESS SPECIFIED)		TITLE: CUSTOMER DWG.	
	mm	INCH	1***
4 PLACE	± ***	± ***	APPD: Seawen 7/15/15
3 PLACE	± 0.10	± **	CHKD: Peter 7/15/15
2 PLACE	± 0.30	± **	DRAWN: Alex 7/15/15
1 PLACE	± 0.50	± **	
ANGULAR:	X*± 2°	X*± **	
REV.	DESCRIPTION	DATE	APPD
X2	UPDATE RELEASE	7/15/15	Seawen

SCALE	SHEET	REV.
2.5/1	1/3	X2



NOTE:

- MATERIAL AND FINISH
 - SHELL ASSEMBLY: COPPER ALLOY, OUTER SHELL AND COLLET NUT Cr PLATING, OTHER METALLIC COMPONENTS Ni PLATING
 - INSULATOR: PEEK
 - CONTACT: COPPER ALLOY, GOLD PLATING
- RoHS COMPLIANCE
- PART NO.



R - F 1 B S * * 0 * D 2 * * *

CONTACT POS.
02-16=2pin-16pin

SHELL MATERIAL
0=Brass

CODE	CONTACT TYPE
2	Male Solder Contact
4	Female Solder Contact
C	Crimp Male Contact
M	Crimp Female Contact

COLLET NUT
2=Nut for Standard

CABLE OD	
42=OD	3.1mm-4.2mm
52=OD	4.2mm-5.2mm
62=OD	5.2mm-6.2mm
72=OD	6.2mm-7.2mm
76=OD	7.2mm-7.6mm

CODE	KEY ANGLES
0	0
A	30°
B	60°
"	"

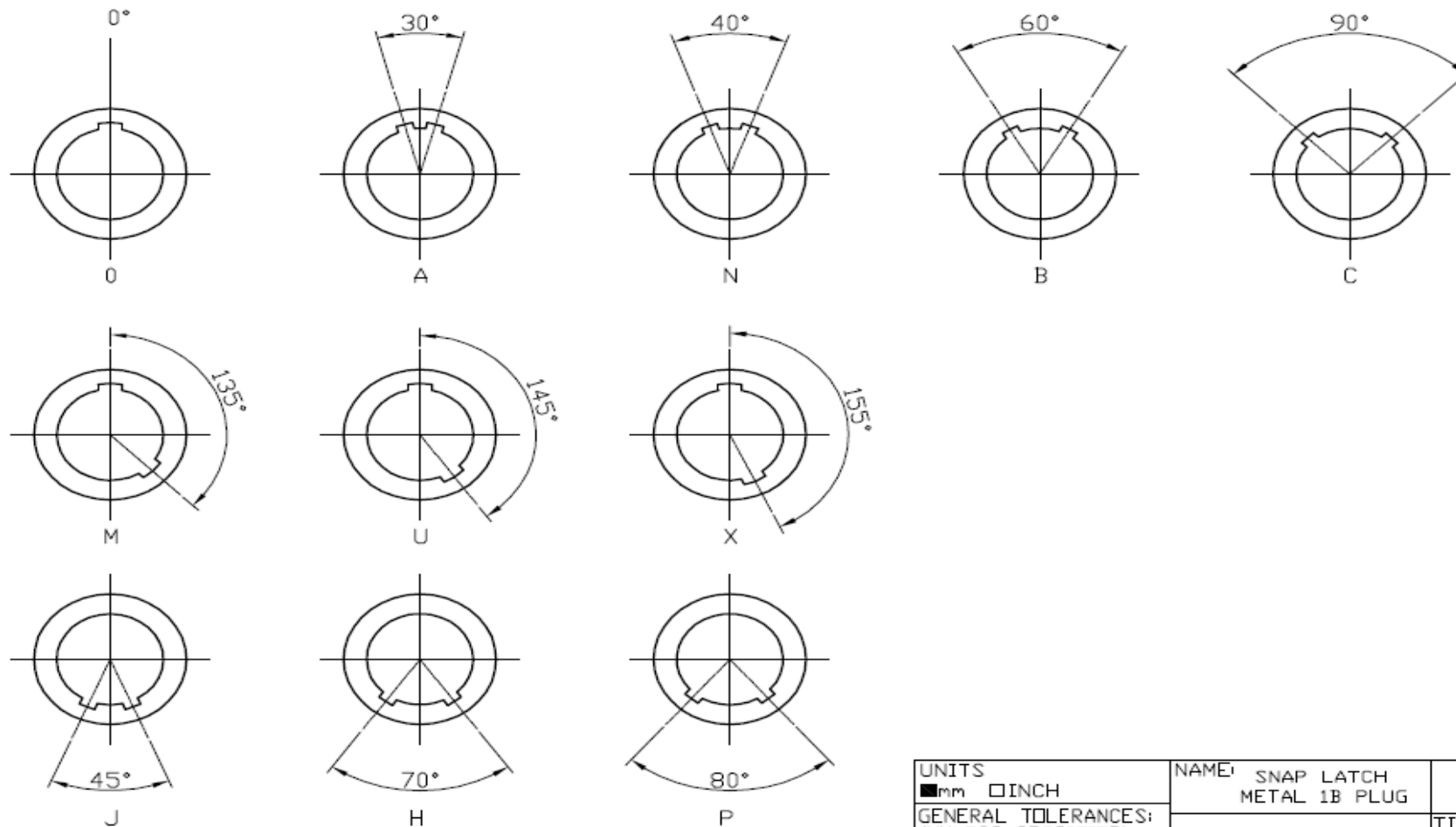


UNITS ■mm □INCH		NAME: SNAP LATCH METAL 1B PLUG		TITLE: CUSTOMER DWG.	
GENERAL TOLERANCES: (UNLESS SPECIFIED)		D2***		DWG NO: 010-0000-937	
	mm	INCH	APPD: Seawen 7/15/15	C	
4 PLACE	±**	±.**	CHKD: Peter 7/15/15	SCALE: SHEET: REV.:	
3 PLACE	±0.10	±.**	DRAWN: Alex 7/15/15	2.5/1	2/3
2 PLACE	±0.30	±.**			X2
1 PLACE	±0.50	±.**			
ANGULAR:	X*±2°	X*±**			

REV.	DESCRIPTION	DATE	APPD
X2	UPDATE RELEASE	7/15/15	Seawen



KEY ANGLES (RECEPTACLE FRONT VIEW)



UNITS <input checked="" type="checkbox"/> mm <input type="checkbox"/> INCH		NAME: SNAP LATCH METAL 1B PLUG	
GENERAL TOLERANCES: (UNLESS SPECIFIED)		TITLE: CUSTOMER DWG.	
	mm	INCH	
4 PLACE	± **.05	± **.002	
3 PLACE	± 0.10	± **.005	
2 PLACE	± 0.30	± **.020	
1 PLACE	± 0.50	± **.050	
ANGULAR:	X° ± 2°	X° ± **.050	
APPD: Seawen 7/15/15		DWG NO: 010-0000-937	
CHKD: Peter 7/15/15		C	
DRAWN: Alex 7/15/15		SCALE: 2.5/1	SHEET: 3/3
		REV: X2	

X2	UPDATE RELEASE	7/15/15	Seawen
REV.	DESCRIPTION	DATE	APPD