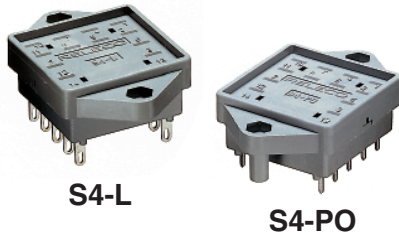


S4-L 4-Pole Flange
Panel Mountable

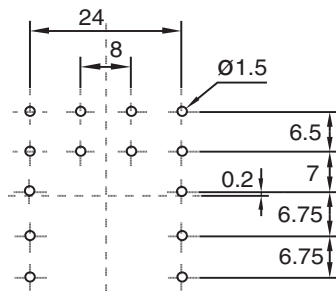
S4-PO 4-Pole Printed Circuit
with Flange



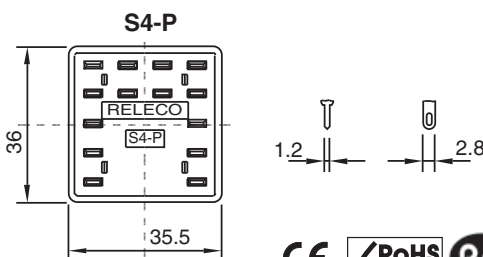
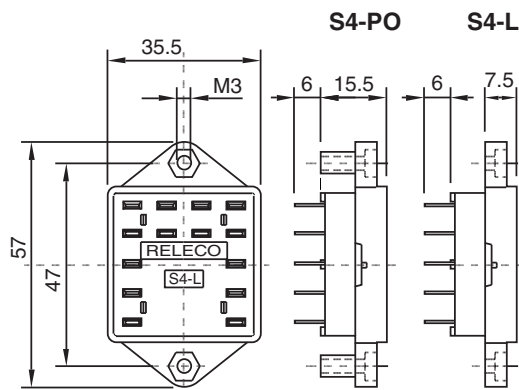
Specifications

Nominal Load 10 A/250 V
Dielectric Strength Adjacent Pin 2.5 KV

Printed Circuit Lay-Out



Dimensions - mm



S5-L 3-Pole Flange
Panel Mountable

S5-P 3-Pole Printed Circuit

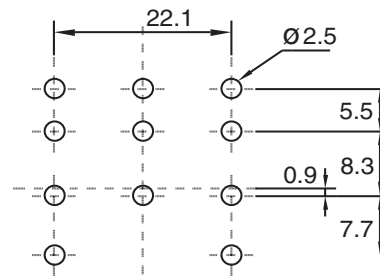
S5-PO 3-Pole Printed Circuit
with Flange



Specifications

Nominal Load 16 A/400 V
Dielectric Strength Adjacent Pin 4 KV

Printed Circuit Lay-Out



Dimensions - mm

