



ENGLISH

Datasheet

Stock No: 916-0227

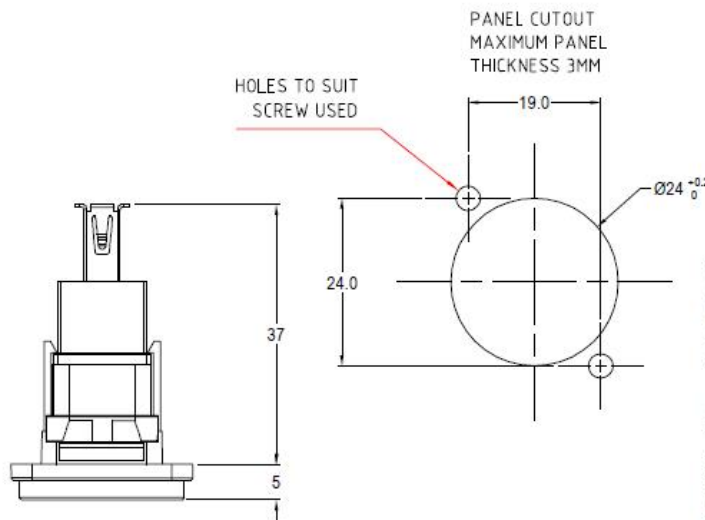
RS Pro 2 Port Straight Panel mount Female to Female Version USB 2.0 B to A USB Adaptor



BLACK METAL FEEDTHROUGH CONNECTORS FT Series

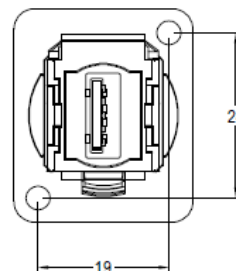
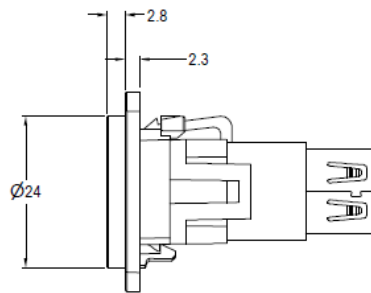
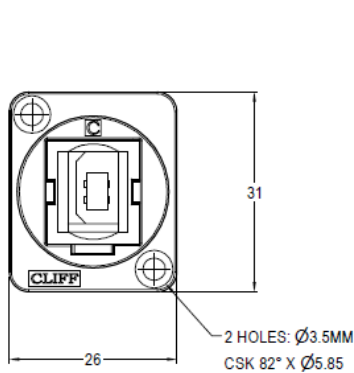
The Black Metal FT Series of true feed through connectors are perfect for developing custom I/O configurations for wall-plates, rack panels, etc. ALL fit within a standard XLR panel cutout, and use common cabling for front and back connections. No soldering, no punch terminations, just use the standard cable for that particular connector style. Mount from the front or back, low rear profile accommodates the tightest “behind the panel” spaces. Available in a wide variety of styles. The frame has a matt black finish.

Dimensions:



- Material:**
1. Insert: ABS
 2. Frame: Black Nickel plated zinc diecast
 3. Shell: Nickel plated steel
 4. Contacts: Gold Plated

- Notes:**
1. Voltage rating: 30V ac
 2. Current rating: 1.5 A max
 3. Contact resistance: 50m Ω max
 4. Insulation resistance: 20M Ω min
 5. Dielectric withstanding voltage: 500V AC
 6. Operating Temperature: -20°C to 50°C



RoHS ✓ COMPLIANT
TOLERANCE
NO DEC. PLACE \pm
1 DEC. PLACE \pm
2 DEC. PLACE \pm
HOLE $\varnothing \pm$
ANGLES \pm
UNLESS OTHERWISE STATED



Part No.
CP30205NMB
RS Stock No.
916-0215

Description
USB 3.0 A to USB 3.0 A, CSK hole.



Part No.
CP30206NMB
RS Stock No.
916-0224

Description
USB 3.0 B to USB 3.0 A, CSK hole.



Part No.
CP30207NMB
RS Stock No.
916-0227

Description
USB 2.0 B to USB 2.0 A, CSK hole.



Part No.
CP30208NMB
RS Stock No.
916-0221

Description
USB 2.0 A to USB 2.0 A, CSK hole.



Part No.
CP30209NMB
RS Stock No.
916-0230

Description
USB 2.0 A to USB 2.0 B, CSK hole.



Part No.
CP30213MB
RS Stock No.
916-0233

Description
LC Duplex SM adaptor, CSK Hole



Part No.
CP30214MB

Description
LC Duplex MM, CSK Hole



Part No.
CP30215MB
RS Stock No.
916-0246

Description
SC Simplex SM, CSK Hole



Part No.
CP30216MB

Description
SC Simplex MM, CSK Hole



Part No.
CP30217MB
RS Stock No.
916-0249

Description
Toslink, CSK Hole



Part No.
CP30220MB
RS Stock No.
916-0243

Description
UTP Cat5e RJ45-RJ45, CSK Hole



Part No.
CP30220SMB
RS stock No.
916-0252

Description
FTP Cat5e RJ45-RJ45, Shielded,
CSK Hole



Part No.
CP30222MB
RS Stock No.
916-0255

Description
UTP Cat6 RJ45-RJ45, CSK Hole



Part No.
CP30222SMB
RS Stock No.
916-0259

Description
FTP Cat6 RJ45-RJ45, Shielded, CSK Hole



Part No.
CP30230MB

Description
RCA Phono RED, CSK Hole



Part No.
CP30231MB

Description
RCA Phono WHITE, CSK Hole



Part No.
CP30232MB

Description
RCA Phono YELLOW, CSK Hole

Other colours available on request.



Part No.
CP30241MB

Description
Blanking Plate, CSK Hole