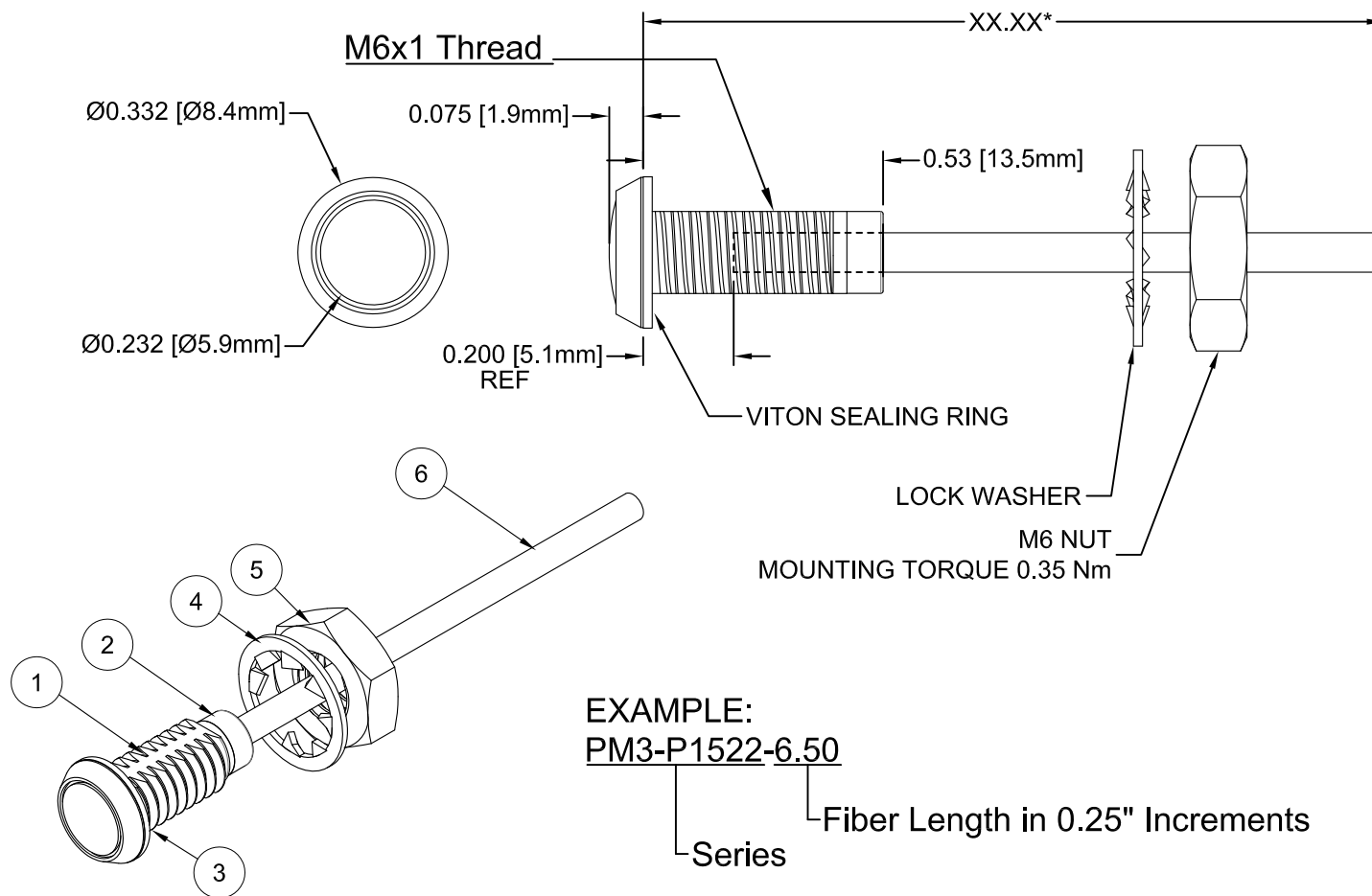


ITEM	Q'TY	PART NUMBER	PART DESCRIPTION
1	1	PM3-PL	3mm Polycarbonate Panel Mount Housing
2	1	PM3-FP22	2.2mm to 3mm Flexible Light Pipe Adapter
3	1	PM3-VS	3mm Viton Sealing Ring
4	1	WASH-1009	M6 Internal Tooth Lock Washer
5	1	NUT-1004	M6x1 Thin Nut
6	1	FLPS1522-XX.X	1.5mm x 2.2mm Flexible Light Pipe

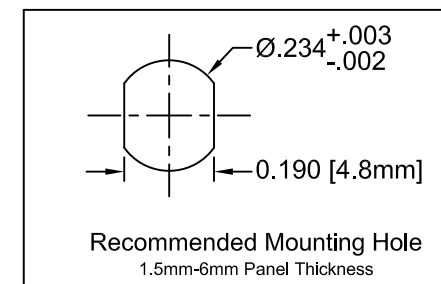
REV.	DESCRIPTION	DATE	APPROVED
B	Engineering Release	06/19/12	T. Y.



*Length "XX.XX"	Tolerance
2.50" ~ 16.00"	±0.050"
16.25" ~ 40.00"	±0.15"
40.25" ~ 80.00"	±0.30"
80.25" ~ 500.0"	±0.5%

EXAMPLE:  
PM3-P1522-6.50

Series Fiber Length in 0.25" Increments



NOTES:

1. SEALED TO IP67 RATING
2. ROHS COMPLIANT
3. MOUNTING HARDWARE SHIPPED NON-ASSEMBLED
4. INSERT VITON RING ON PANEL MOUNT PRIOR TO PANEL INSERTION

STANDARD TOLERANCE (UNLESS OTHERWISE SPECIFIED)		 4 THOMAS, IRVINE, CA. 92618 TEL: (949) 951-8808 FAX: (949) 951-3974	
DECIMALS	ANGULAR		
.X ±.1	X° ± 1°		TITLE: IP-67 Rated Panel Mount Flexible Light Pipe Indicator
.XX ±.02			PART NO: PM3-P1522-XX.XX
.XXX ±.010		DESIGNED: Brian Oliver	DATE: 04/12/12
		CHECKED: T. Yin	DATE: 04/12/12
			REVISION: B
			CAGE CODE: 32559 SHEET # 1 OF 1
CAD GENERATED DOCUMENT, DO NOT MEASURE DRAWING.			