



ENGLISH

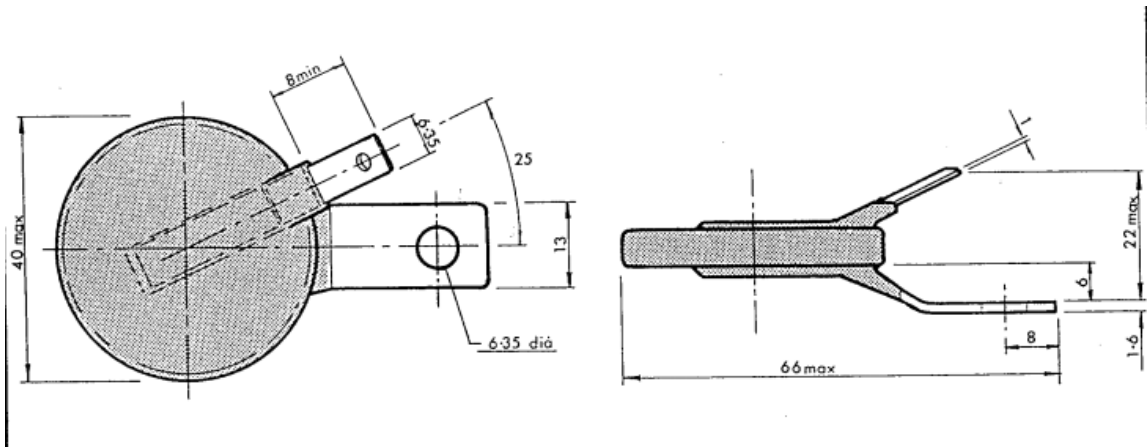
Datasheet

RS High Power Series Metal Oxide Varistor

RS Stock 240-208



Dimensions: (mm)





ENGLISH

Specification

Disc Size – Diameter	36mm
Max. Continuous volts AC RMS @ 25°C	242 V
Max. Continuous volts DC @ 25°C	330 V
Energy (10x1000us)	390 J
Peak current (8x20 us) max	10000 A
Varistor voltage min @1mA	343 V
Max Varistor voltage @ test current	620V Max @ 100A
Typical Capacitance (1kHz)	4500 pF
Coating	Blue flame retardant epoxy to UL94VO