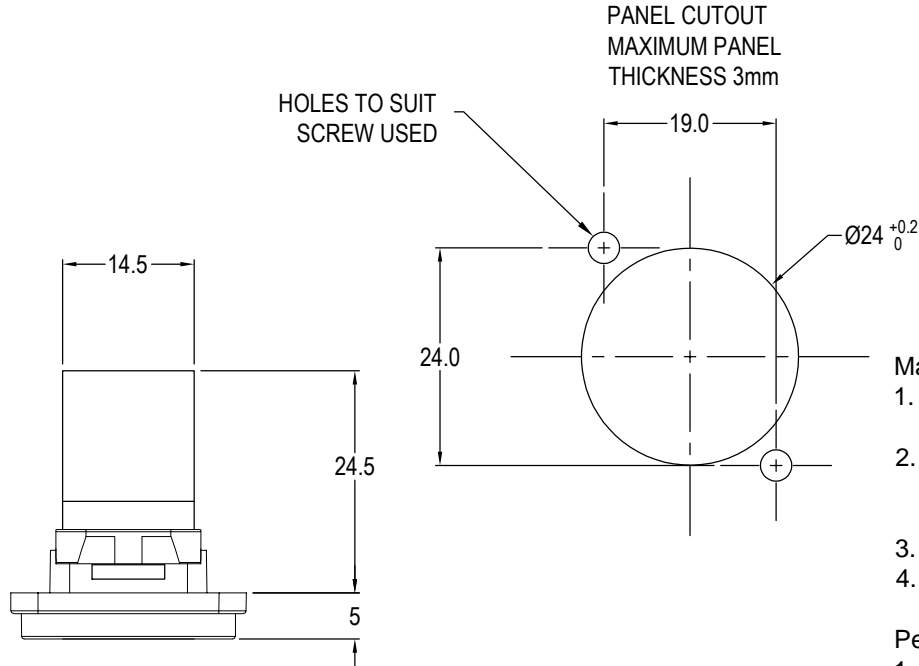
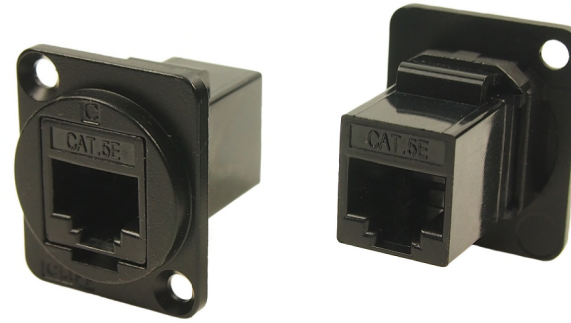


ISS.	AMEND	DATE
1	1st DRAWN	14/12/15
2	ADD M3 VARIANT	01/06/18



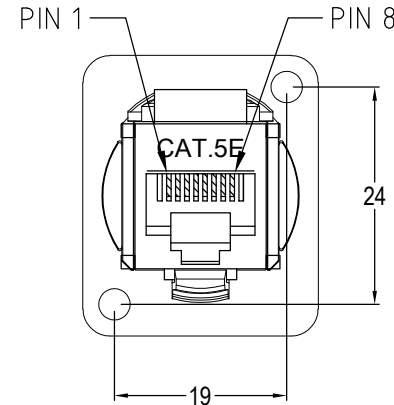
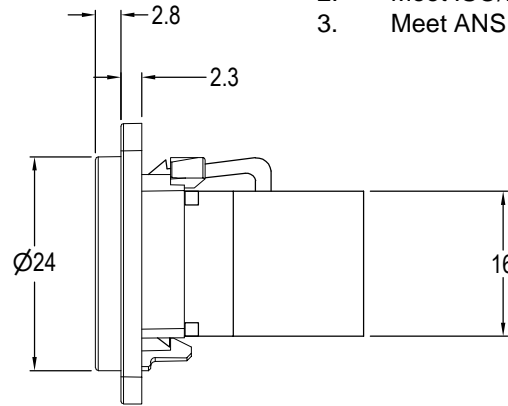
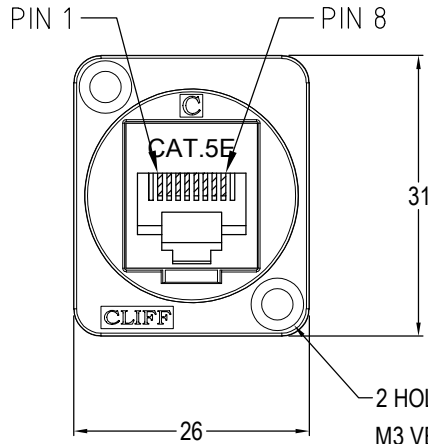
Material:

1. RJ45 In-Line Coupler: PC/ABS, UL 94V-0, Black colour
2. RJ45 In-Line Coupler Contact: Phosphor Bronze, 3-50 micro inches gold plating over nickel plate.
3. PCB: FR4, UL 94V-0
4. Frame: Black Nickel plated zinc diecast

Performance:

1. T568A & T568B wiring.
2. Meet ISO/IEC 11801 and EN50173
3. Meet ANSI/TIA/EIA 568B.2

VARIANTS	
PART No.	HOLE DETAILS
CP30220MB	HOLE Ø3.50 x CSK 82° x Ø5.85
CP30220M3B	M3 HOLES



2 HOLES: Ø3.5mm CSK 82° x Ø5.85
M3 VERSION HAS M3 THREAD HOLES.

RoHS
COMPLIANT

TOLERANCE
NO DEC. PLACE ±
1 DEC. PLACE ±
2 DEC. PLACE ±
HOLE Ø ±
ANGLES ±
UNLESS OTHERWISE STATED

DO NOT SCALE

Cliff Electronic Components Ltd.
76 Holmethorpe Avenue, Holmethorpe Industrial Estate,
Redhill, Surrey, RH1 2PF, England, UK
Tel: 01737-771375 Fax: 01737-766012 Website: www.cliffuk.co.uk

DIMENSIONS IN MILLIMETERS UNLESS OTHERWISE STATED. WORK TO DIMENSIONS. REMOVE ALL BURRS. IF IN DOUBT ASK.

3rd ANGLE PROJECTION:

MATERIAL: See Notes

TITLE: FT BLACK METAL UTP Cat5e RJ45

FINISH: See Notes

THE CONTENTS OF THIS DOCUMENT MUST NOT BE COPIED OR DISCLOSED TO A 3rd PARTY WITHOUT WRITTEN PERMISSION OF CLIFF UK. © 2015

DRAWN: D.P.J.

APPROVED: D.P.J.

DRWG. No. **CP30220MB**

FORM: A4DRWGf