

Please note that the data given here has been taken from the online catalog. For comprehensive information and data, please refer to the user documentation at <http://www.download.phoenixcontact.com>. The General Terms and Conditions of Use apply to Internet downloads.

► Extract from the online catalog



D-SUB panel mounting frame, type 25, with gender changer, version: Male/Male

The illustration shows a 9-pos. male/male contact version

Order No.	1689747
Ord designation	VS-25-A-GC-ST/ST
EAN	4017918915452
Pack	5 Pcs.
Customs tariff	85369010
Catalog page information	Page 50 (PC-2005)

► Technical data

Material data

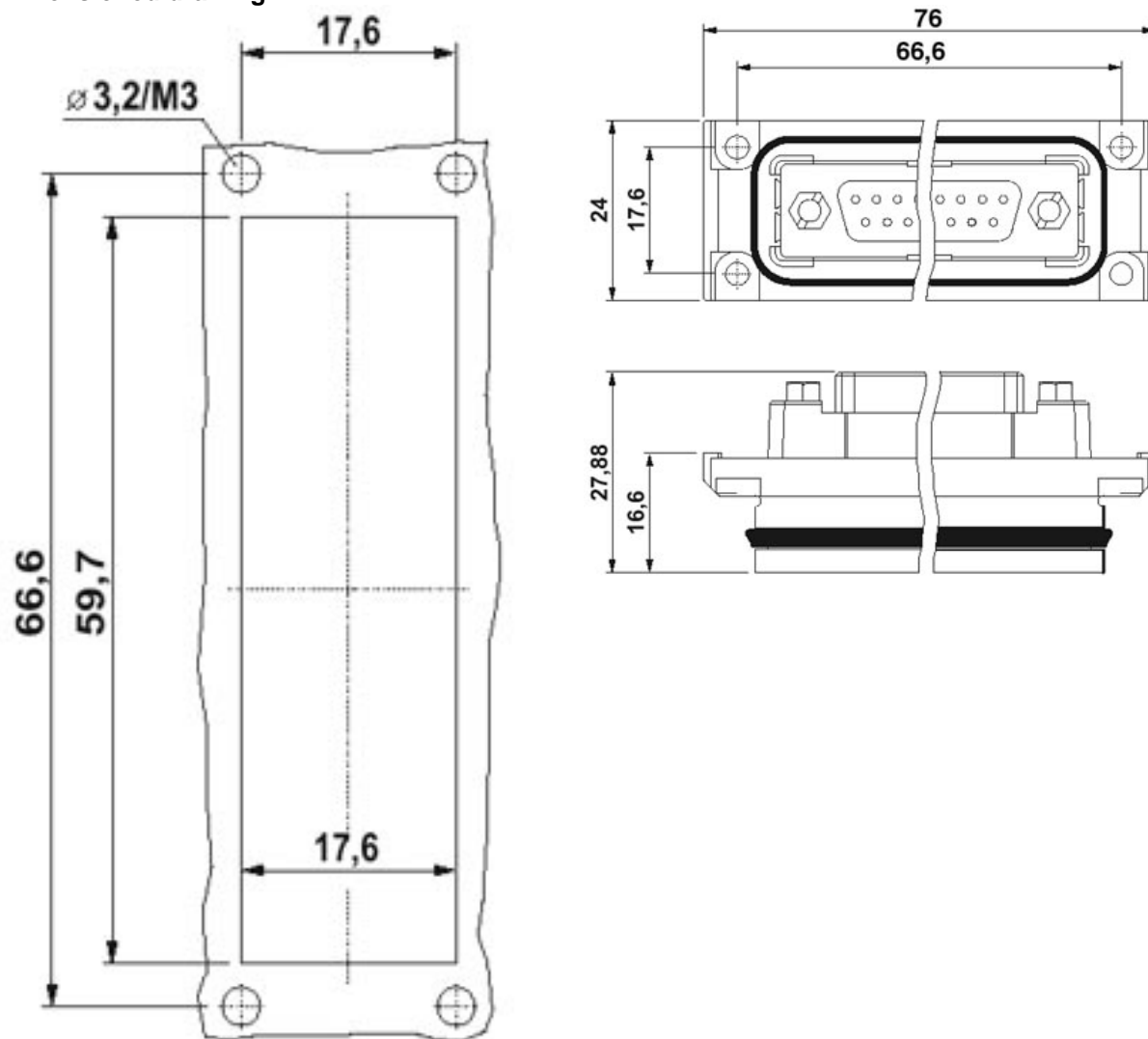
Degree of protection	IP67
Inflammability class acc. to UL 94	V0

Electrical characteristics

Ambient temperature (operation)	-20 °C ... 80 °C
---------------------------------	------------------

► Drawings

Dimensioned drawing



► Accessories

Item	Designation	Description
General		
1652211	VS-25-SD	Protective cover, for covering the contact insert in the mounting frame or sleeve housing

► Address

PHOENIX CONTACT GmbH & Co. KG
Flachsmarktstr. 8
32825 Blomberg
Germany
Phone +49 5235 3 00
Fax +49 5235 3 41200
<http://www.phoenixcontact.com>
Phoenix Contact
Technical modifications reserved;