

Features

- Made of ABS
- Available in white color
- Protection against liquids and solid objects: IP67 rating
- Shock protection level: IK09
- Supplied with four screws
- Threaded brass inserts for reliable assembly
- Lid with recess for keypads and overlays

RS PRO Hermetic Enclosure

RS Stock No.: (0672384)



RS PRO is the own brand of RS. The RS PRO Seal of Approval is your assurance of professional quality, a guarantee that every part is rigorously tested, inspected, and audited against demanding standards. Making RS PRO the Smart Choice for our customers.

Product Description

Hermetic enclosure ideal for applications requiring protection against water ingress. Lid manufactured with polyurethane gasket that provides IP67 rating and with recess for membrane keypads and overlays.

General Specifications

Body Material	ABS
Colour	White
Lid Colour	White
Lid material	ABS
RAL Code	RAL 9003
Accessories	Screw M3 30 - 4psc
Cover Screws Material	Galvanized Steel

Mechanical Specifications

Gasket Material	Polyurethane
External Height	38,5mm
External Length	144,6mm
External Width	184,7mm

Protection Category

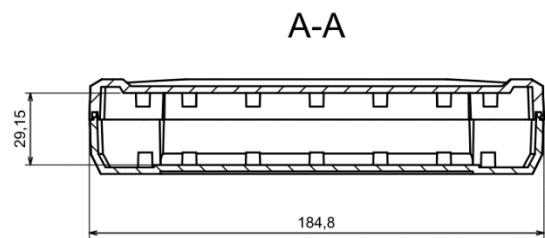
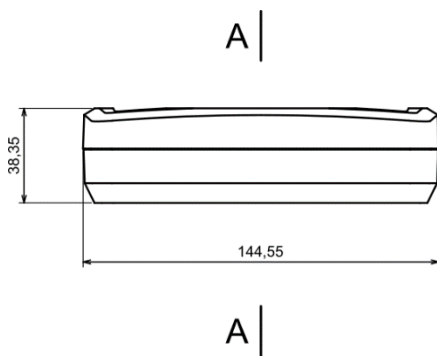
IP Rating	IP67
IK Rating	IK09

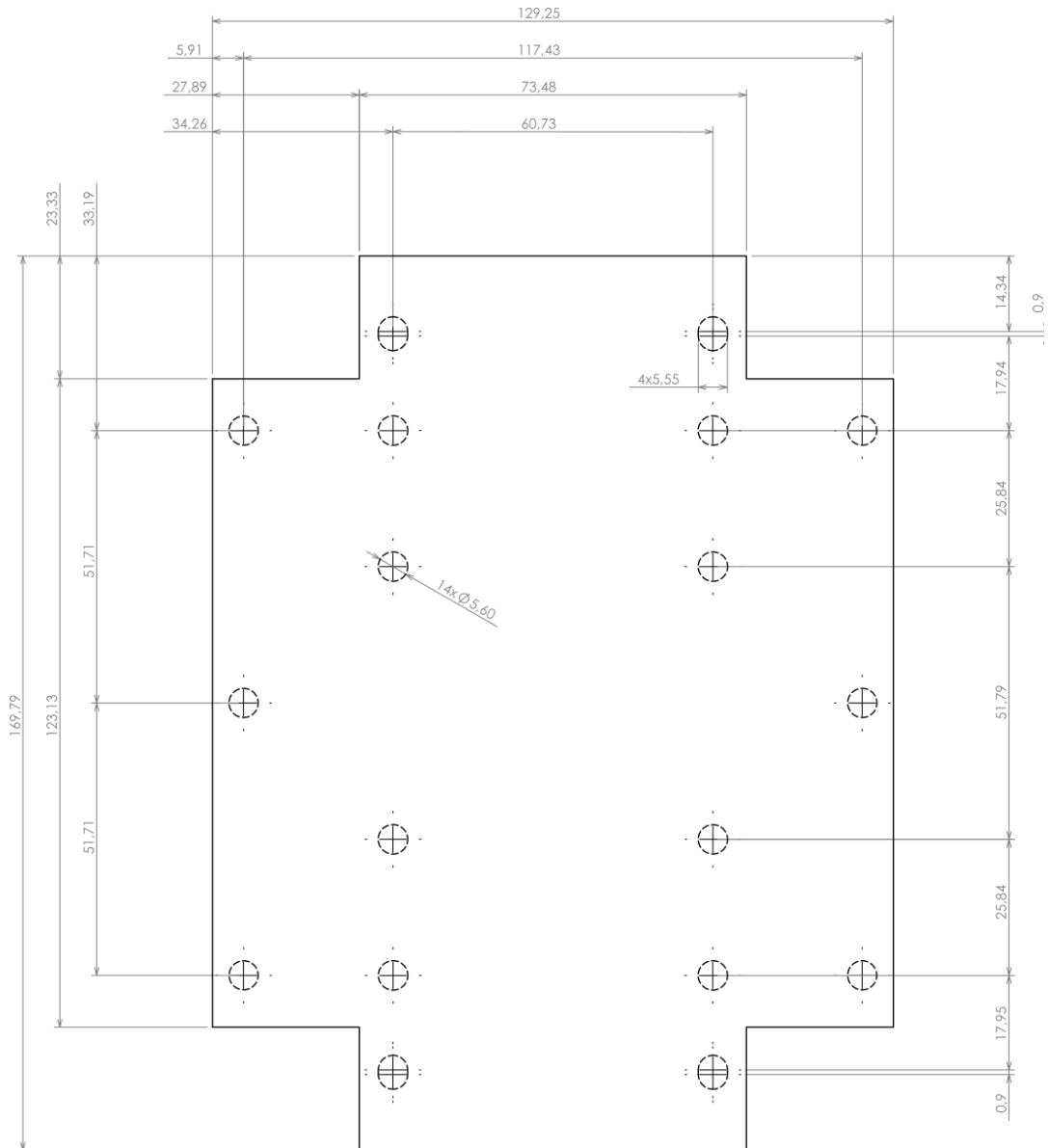
Approvals

Declarations	REACH
Standard Met	RoHS Compliant

Similar Products

Stock No.	Brand	Product Name	Body Material	Colour	Shielded
0672385	RS PRO	General Purpose Enclosure	ABS	Grey	No
0672386	RS PRO	General Purpose Enclosure	ABS	Grey	No





Dashed line shows outline of the mounting boss under PCB board
 Recommended mounting holes diameter $\varnothing 2,6\text{mm}$
 All dimensions are given within $\pm 0,5\text{mm}$ tolerance