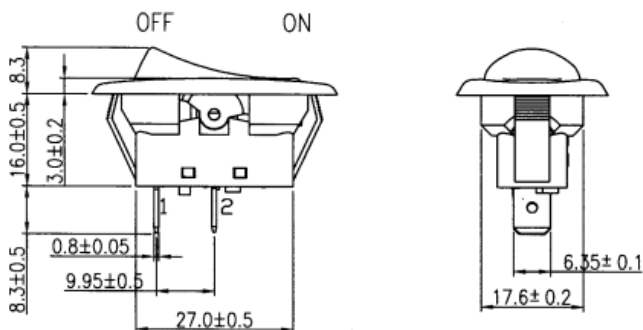
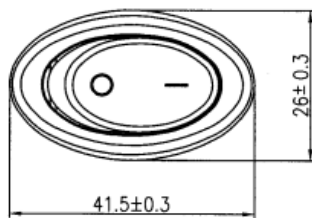


Datasheet

Black SPST Rocker Switch, On-Off, 10 A@ 125 V ac 17.8mm 35.2mm

RS Stock number [419-823](#)

Dimensions: (mm)



Specifications

Rating: 10A 125V, 6A 250V AC
 Contact Resistance: 50m ohm max
 Insulation Resistance: DC 500V 100M ohm min.
 Dielectric Strength: AC 1500V 1 min
 Circuit: 3P SPST on-off
 Operation Temperature: -20degC ~ 85degC

Materials

Frame: Black , Nylon-66 (94V-2)
 Actuator: Black, Pc
 Printed: White, 0
 Terminals: Silver plated copper