



## Main

Range of product	OsiSense XS
Series name	Application
Sensor type	Inductive proximity sensor
Device application	Food and beverage
Market segment	Pharmaceutical
Sensor name	XS2
Sensor design	Cylindrical M18
Size	60 mm
Body type	Fixed
Detector flush mounting acceptance	Non flush mountable
Material	Plastic
Type of output signal	Discrete
Wiring technique	2-wire
[Sn] nominal sensing distance	12 Mm
Discrete output function	1 NO
Output circuit type	AC/DC
Electrical connection	Cable
Cable length	2 M
[Us] rated supply voltage	24...240 V AC 50/60 Hz 24...240 V DC
Switching capacity in mA	5...200 mA DC 5...300 mA AC
IP degree of protection	IP68 double insulation conforming to IEC 60529 IP69K conforming to DIN 40050

## Complementary

Thread type	M18 x 1
Detection face	Frontal
Front material	PPS
Enclosure material	PPS
Sensing range	> 8...15 mm
Operating zone	0...9.6 Mm
Differential travel	1...15% of Sr
Cable composition	2 x 0.34 mm <sup>2</sup>
Wire insulation material	PvR
Status LED	Output state: 1 LED (yellow)

Supply voltage limits	20...264 V AC/DC
Maximum residual current	0.8 MA open state
Switching frequency	<= 1000 Hz DC <= 25 Hz AC
Maximum voltage drop	<5.5 V (closed)
Maximum delay first up	30 Ms
Maximum delay response	0.5 Ms
Maximum delay recovery	0.5 Ms
Marking	CE
Threaded length	51 Mm
Length	60 Mm
Net weight	0.1 Kg

## Environment

Product certifications	CCC CSA UL
Ambient air temperature for operation	-25...85 °C
Ambient air temperature for storage	-40...85 °C
Vibration resistance	25 gn amplitude = +/- 2 mm (f = 10...55 Hz) conforming to IEC 60068-2-6
Shock resistance	50 gn for 11 ms conforming to IEC 60068-2-27

## Packing Units

Unit Type of Package 1	PCE
Number of Units in Package 1	1
Package 1 Weight	80 G
Package 1 Height	3.4 Cm
Package 1 width	14.9 Cm
Package 1 Length	12.9 Cm
Unit Type of Package 2	BAG
Number of Units in Package 2	1
Package 2 Weight	94 G
Package 2 Height	2 Cm
Package 2 width	20 Cm
Package 2 Length	15 Cm
Unit Type of Package 3	S01
Number of Units in Package 3	11
Package 3 Weight	1.083 Kg
Package 3 Height	15 Cm
Package 3 width	15 Cm
Package 3 Length	40 Cm

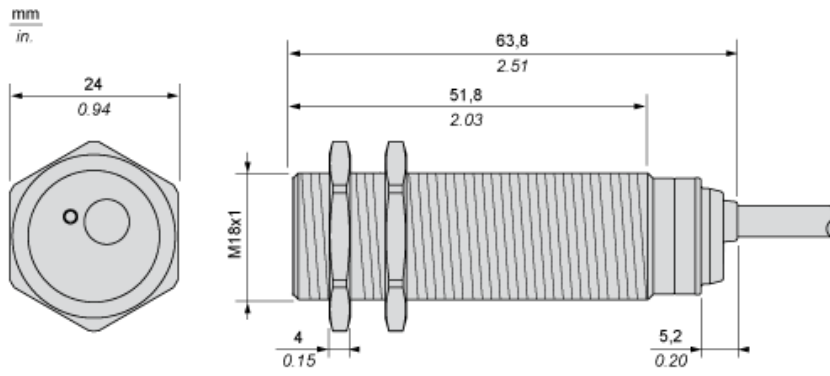
## Offer Sustainability

Sustainable offer status	Green Premium product
REACH Regulation	<a href="#">REACH Declaration</a>
EU RoHS Directive	Pro-active compliance (Product out of EU RoHS legal scope) <a href="#">EU RoHS Declaration</a>
Mercury free	Yes
RoHS exemption information	<a href="#">Yes</a>
Environmental Disclosure	<a href="#">Product Environmental Profile</a>
Circularity Profile	<a href="#">End Of Life Information</a>

## Contractual warranty

Warranty	18 months
----------	-----------

Dimensions

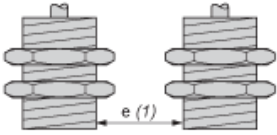


---

Minimum Mounting Distances

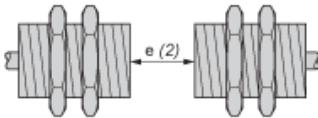
---

Side by side



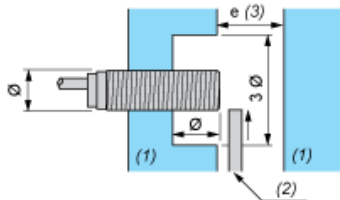
e (1)  $\geq$  2 mm/2.83 in.

Face to face



e (2)  $\geq$  44 mm/5.67 in.

Facing a metal object



e (3)  $\geq$  6 mm/1.42 in

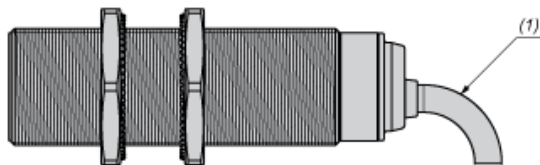
(1) Metal

(2) Object to be detected

---

Mounting

---

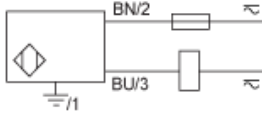


(1) Bending cable: 4 x external cable diameter

## Wiring Schemes

### 2-Wire AC or DC

NO output



BU : Blue  
BN : Brown

Product Life Status : **Commercialised**