



**PIDG**

TE Internal #: 328998

PIDG, Rings & Spades, Ring Tongue, 16 – 14AWG Wire Size, 1.04 – 2.62mm<sup>2</sup> Wire Size, 2050 – 5180CMA Wire Size, M8 / 5/16

[View on TE.com >](#)

Terminals & Splices > Rings & Spades > PIDG RING TONGUE TERMINALS



Terminal & Splice Type: **Ring Tongue**

Wire Size: **2050 – 5180 CMA**

Ring & Spade Stud Size: **5/16, M8**

[All PIDG RING TONGUE TERMINALS \(422\)](#)

**Features**

**Product Type Features**

Terminal Features	Sheared
Shape Description	RING-041
Ring & Spade Stud Size	5/16, M8
Ring & Spade Barrel Type	Closed Barrel
Sealable	No
Insulated	Yes
Ring & Spade Wire/Cable Type	Regular Wire
Support Style	Insulation Support

**Configuration Features**

Number of Holes	1
Terminal Angle	Straight

**Electrical Characteristics**

Voltage (Max)	300 V
---------------	-------

**Body Features**

Inspection Slot	No
Weight per Piece	1.305 g
Ring & Spade Plating Material	Copper, Tin

**Contact Features**

Terminal & Splice Type	Ring Tongue
------------------------	-------------

Ring & Spade Terminal Orientation	Straight
-----------------------------------	----------

### Mechanical Attachment

Wire Insulation Support	With
-------------------------	------

### Dimensions

Wire Size	2050 – 5180 CMA
Stud Diameter	8.33 mm[.328 in]
Tongue Thickness	.79 mm[.031 in]
Ring & Spade Overall Length	27.38 mm[1.078 in]
Ring & Spade Wire Insulation Diameter (Max)	4.32 mm[.17 in]
Ring & Spade Wire Insulation Diameter	2.92 – 4.31 mm[.115 – .17 in]

### Usage Conditions

Operating Temperature Range	105 °C[221 °F]
-----------------------------	----------------

### Operation/Application

Heavy Duty	No
------------	----

### Industry Standards

Government Qualified	No
----------------------	----

### Packaging Features

Packaging Quantity	1000
Ring & Spade Packaging Method	Loose Piece

### Product Compliance

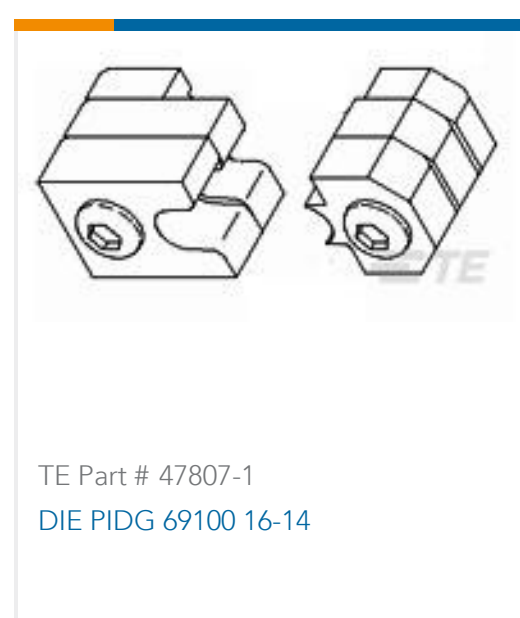
[For compliance documentation, visit the product page on TE.com>](#)

EU RoHS Directive 2011/65/EU	Compliant
EU ELV Directive 2000/53/EC	Compliant
China RoHS 2 Directive MIIT Order No 32, 2016	No Restricted Materials Above Threshold
EU REACH Regulation (EC) No. 1907/2006	Current ECHA Candidate List: JUN 2020 (209) Candidate List Declared Against: JUN 2020 (209) Does not contain REACH SVHC
Halogen Content	Not Low Halogen - contains Br or Cl > 900 ppm.
Solder Process Capability	Not applicable for solder process capability

## Product Compliance Disclaimer

This information is provided based on reasonable inquiry of our suppliers and represents our current actual knowledge based on the information they provided. This information is subject to change. The part numbers that TE has identified as EU RoHS compliant have a maximum concentration of 0.1% by weight in homogenous materials for lead, hexavalent chromium, mercury, PBB, PBDE, DBP, BBP, DEHP, DIBP, and 0.01% for cadmium, or qualify for an exemption to these limits as defined in the Annexes of Directive 2011/65/EU (RoHS2). Finished electrical and electronic equipment products will be CE marked as required by Directive 2011/65/EU. Components may not be CE marked. Additionally, the part numbers that TE has identified as EU ELV compliant have a maximum concentration of 0.1% by weight in homogenous materials for lead, hexavalent chromium, and mercury, and 0.01% for cadmium, or qualify for an exemption to these limits as defined in the Annexes of Directive 2000/53/EC (ELV). Regarding the REACH Regulation, the information TE provides on SVHC in articles for this part number is based on the latest European Chemicals Agency (ECHA) 'Guidance on requirements for substances in articles' posted at this URL: <https://echa.europa.eu/guidance-documents/guidance-on-reach>

## Compatible Parts





TE Part # 169400  
CERTI-LOK

### Also in the Series | PIDG



Compression Connectors(17)



Crimp Terminal Housings(1)



Crimp Wire Pins, Tabs & Ferrules(41)



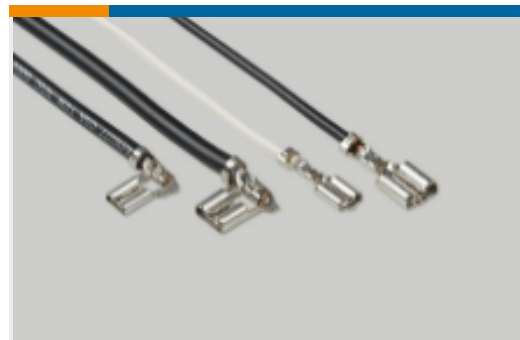
Knife Disconnects(11)



PCB Terminals(9)



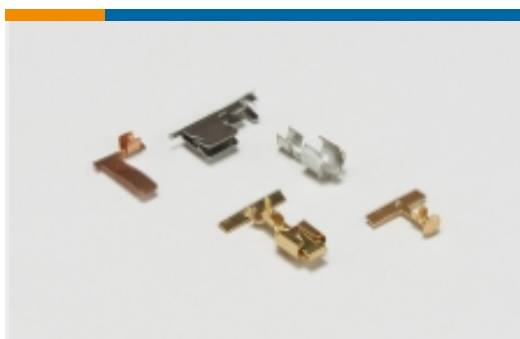
Portable Crimp Tools(2)



Quick Disconnects(53)



Rings & Spades(862)



Special Purpose Terminals(1)



Splices(48)

### Customers Also Bought



TE Part #328999  
PIDG RING TONGUE TERMINALS



TE Part #640907-1  
PIDG FASTON RECPT QUICK DISCONNECTS



TE Part #320559  
PIDG BUTT SPLICES



TE Part #165172  
PIDG FORMED WIRE PINS

## Documents

### Product Drawings

[TERMINAL,PIDG R 16-14 5/16](#)

English

---

### CAD Files

Customer View Model

[ENG\\_CVM\\_328998\\_J.3d\\_igs.zip](#)

English

Customer View Model

[ENG\\_CVM\\_328998\\_J.3d\\_stp.zip](#)

English

Customer View Model

[ENG\\_CVM\\_328998\\_J.2d\\_dxf.zip](#)

English

### 3D PDF

English

By downloading the CAD file I accept and agree to the [Terms and Conditions](#) of use.

---

### Datasheets & Catalog Pages

[PIDG TERMINALS & SPLICES Quick Reference Guide](#)

English

---

### Product Specifications

[Application Specification](#)

English

---

### Product Environmental Compliance

[TE Material Declaration](#)

English

---

### Agency Approvals

[UL Report](#)

English

[UL Report](#)

English