



We Tame Photons to Work for You!



Products

Search Tools

Solutions

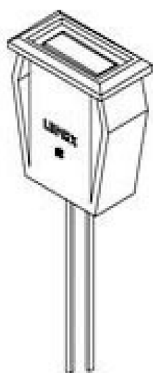
Literature

Tech Notes

Support

Corporate

Products > LED Indicators > Panel Indicators > Rectangular > 2.5mm x 7mm



Features / Options

- ▶ Bi-Color Styles Optional
- ▶ State-of-the-Art, LED Technology
- ▶ Choice of LED Colors and Lens Finishes
- ▶ Insulated Lead Lengths Optional
- ▶ Easy installation through panel

Applications / Uses

- ▶ Front Panel Status Indicators
- ▶ Alarm/Warning Indicators
- ▶ Front Panel Circuit Fault Indicators
- ▶ Instrument Control Panels
- ▶ Medical Diagnostics Indicators
- ▶ Industrial Automation Control Panels

Part Number:	Brightness	Material	Emitted Color	Wavelength	Intensity	View Angle	Voltage
SSI-LXH072GD	STANDARD	GaP	Green	565	9	110	2.2
SSI-LXH072GD-150	STANDARD	GaP	Green	565	9	110	2.2
SSI-LXH072HGW	STANDARD	GaP	Red/ Green	700/565	4/9	110	2.0/2.2
SSI-LXH072ID	STANDARD	GaAsP	Red	635	15	110	2.0
SSI-LXH072ID-150	STANDARD	GaAsP	Red	635	15	110	2.0
SSI-LXH072SID-150	HIGH	AlInGaP	Red	636	70	110	2.0
SSI-LXH072SOD-150	HIGH	AlInGaP	Orange	610	70	110	2.0
SSI-LXH072SRD	HIGH	GaAlAs	Red	660	50	110	1.7
SSI-LXH072SRD-150	HIGH	GaAlAs	Red	660	50	110	1.8
SSI-LXH072SUGD-150	HIGH	AlInGaP	Green	574	35	110	2.2
SSI-LXH072SYD-150	HIGH	AlInGaP	Yellow	590	160	110	2.1

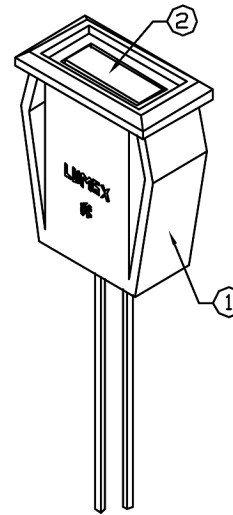
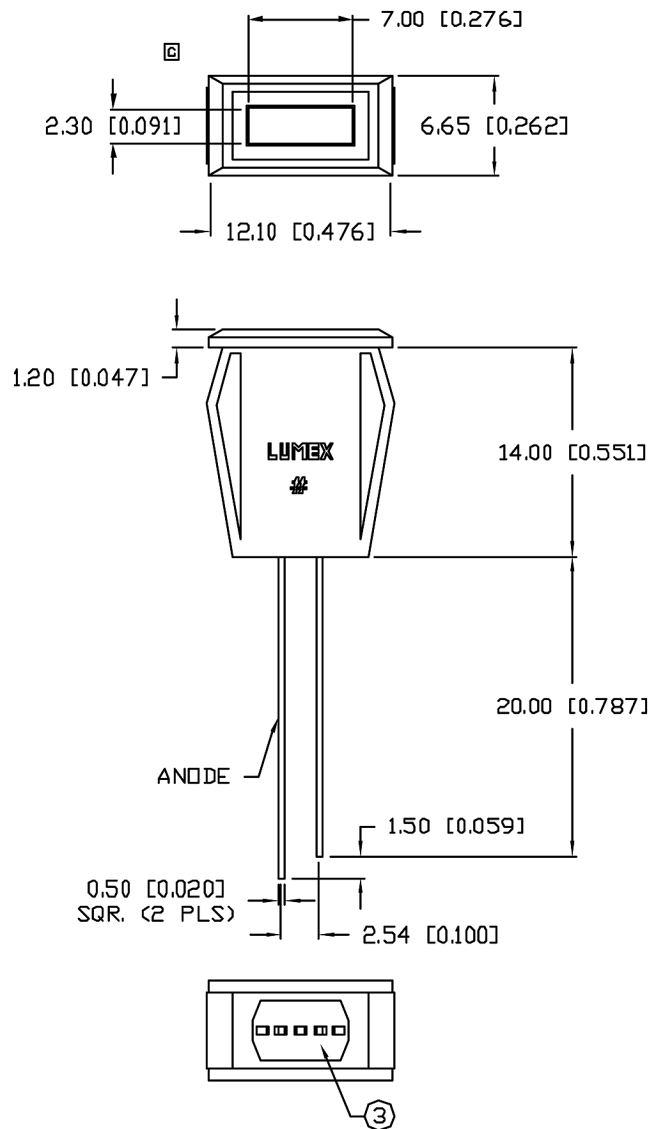
SSI-LXH072USBD-150		HIGH	InGaN	Blue	470	40	110	3.5
SSI-LXH072YD		STANDARD	GaAsP	Yellow	585	9	110	2.1
SSI-LXH072YD-150		STANDARD	GaAsP	Yellow	585	9	110	2.1

UNCONTROLLED DOCUMENT

PART NUMBER
SSI-LXH072GD

REV.
C

REV.	E.C.N. NUMBER AND REVISION COMMENTS	DATE
A	UPDATED SPECS.	1.11.95
B	E.C.N. #10BRDR. & REDRAWN.	1.5.99
C	E.C.N. #10702.	1.10.01



ELECTRO-OPTICAL CHARACTERISTICS $T_A=25^\circ\text{C}$ $I_f=20\text{mA}$

PARAMETER	MIN	TYP	MAX	UNITS	TEST COND
PEAK WAVELENGTH		565		nm	
FORWARD VOLTAGE		2.2	2.6	V_f	
REVERSE VOLTAGE	5.0			V_r	$I_f=100\mu\text{A}$
AXIAL INTENSITY		9		med	$I_f=20\text{mA}$
VIEWING ANGLE		110		2x theta	
EMITTED COLOR:	GREEN				
EPOXY LENS FINISH:	GREEN DIFFUSED				

LIMITS OF SAFE OPERATION AT 25°C

PARAMETER	MAX	UNITS
PEAK FORWARD CURRENT*	150	mA
STEADY CURRENT	25	mA
POWER DISSIPATION	105	mW
DERATE FROM 25°C	-1.2	$\text{mW}/^\circ\text{C}$
OPERATING, STORAGE TEMP.	-40 TO +85	$^\circ\text{C}$
SOLDERING TEMP.	+260	$^\circ\text{C}$
2.0mm FROM BODY		3 SEC. MAX
* $t < 10\mu\text{s}$		

NOTES:

- SSH-LXH072 HOLDER, BLACK.
- SSL-LX25783GD LED, GREEN.
- SECURE LED TO HOLDER WITH UV ACRYLIC.
- PANEL CUT OUT SIZE: 5.3mm x 11.0mm.

UNCONTROLLED DOCUMENT

*UNLESS OTHERWISE SPECIFIED TOLERANCES PER DECIMAL PRECISION ARE: X=±1 (±0.039), XX=±0.5 (±0.020), XXX=±0.25 (±0.010), XXXX=±0.127 (±0.005). LEAD SIZE=±0.05 (±0.002), LEAD LENGTH=±0.75 (±0.030). MIN= $\frac{+0.00}{-0.00}$ DECIMAL PRECISION MAX= $\frac{+0.00}{-0.00}$ DECIMAL PRECISION

REV.	PART NUMBER
C	SSI-LXH072GD

2.3mm x 7mm RECTANGULAR PANEL INDICATOR LED,
565nm GREEN LED, GREEN DIFFUSED LENS.

CONFIDENTIAL INFORMATION
THE INFORMATION CONTAINED IN THIS DOCUMENT IS THE PROPERTY OF LUMEX INC. EXCEPT AS SPECIFICALLY AUTHORIZED IN WRITING BY LUMEX INC, THE HOLDER OF THIS DOCUMENT SHALL KEEP ALL INFORMATION CONTAINED HEREIN CONFIDENTIAL AND SHALL PROTECT SAME IN WHOLE OR IN PART FROM DISCLOSURE AND DISSEMINATION TO ALL THIRD PARTIES.



RELIABILITY NOTE
OUR MANY YEARS OF EXPERIENCE DATA ACCUMULATION INDICATE THAT SOLDER HEAT IS A MAJOR CAUSE OF EARLY AND FUTURE FAILURE. PLEASE PAY ATTENTION TO YOUR SOLDERING PROCESS.