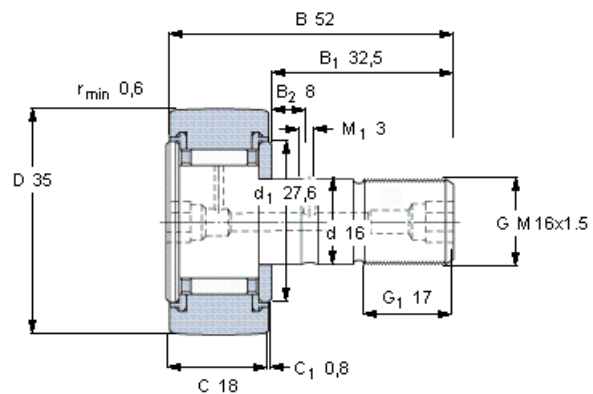


# Cam followers



Dimensions				Basic load ratings		Fatigue load limit	Maximum radial loads		Limiting speed	Mass	Designation
D	d	B	C	dynamic C	static C <sub>0</sub>	P <sub>u</sub>	dynamic F <sub>r</sub>	static F <sub>0r</sub>	r/min	kg	-
mm				kN		kN	kN				
35	16	52	18	9,52	13,7	1,56	11,4	16,3	4000	0,16	KR 35 PPA



- Appertaining grease nipple(s)** NIP A2x7.5
- Appertaining hexagonal nut**
  - Size, mm M 16x1.5
  - Rec. tightening torque, Nm 58
- Internal hexagon in stud**
  - Key width, mm 8