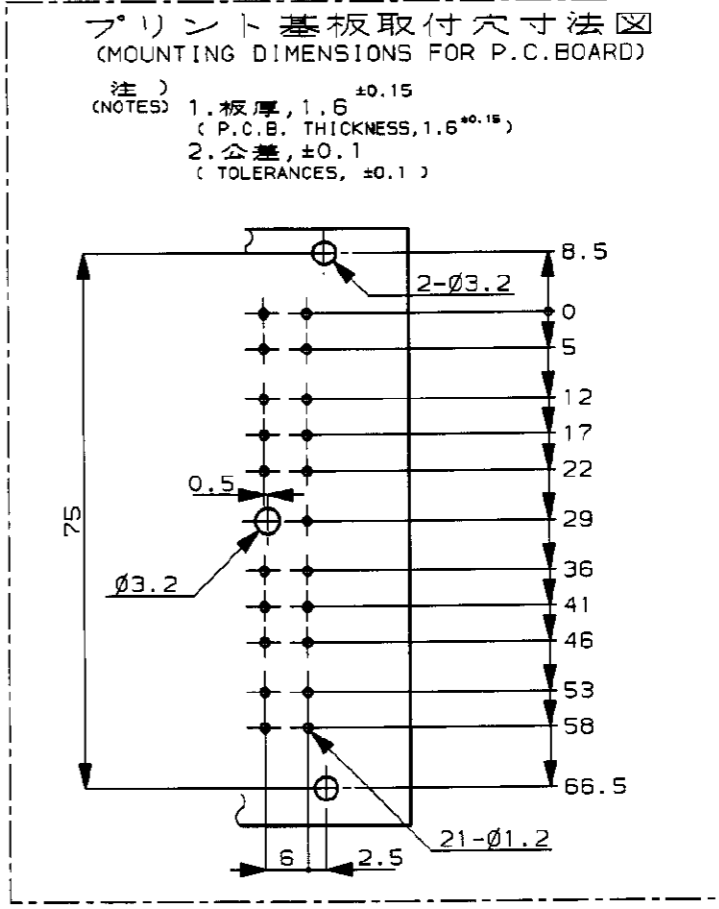
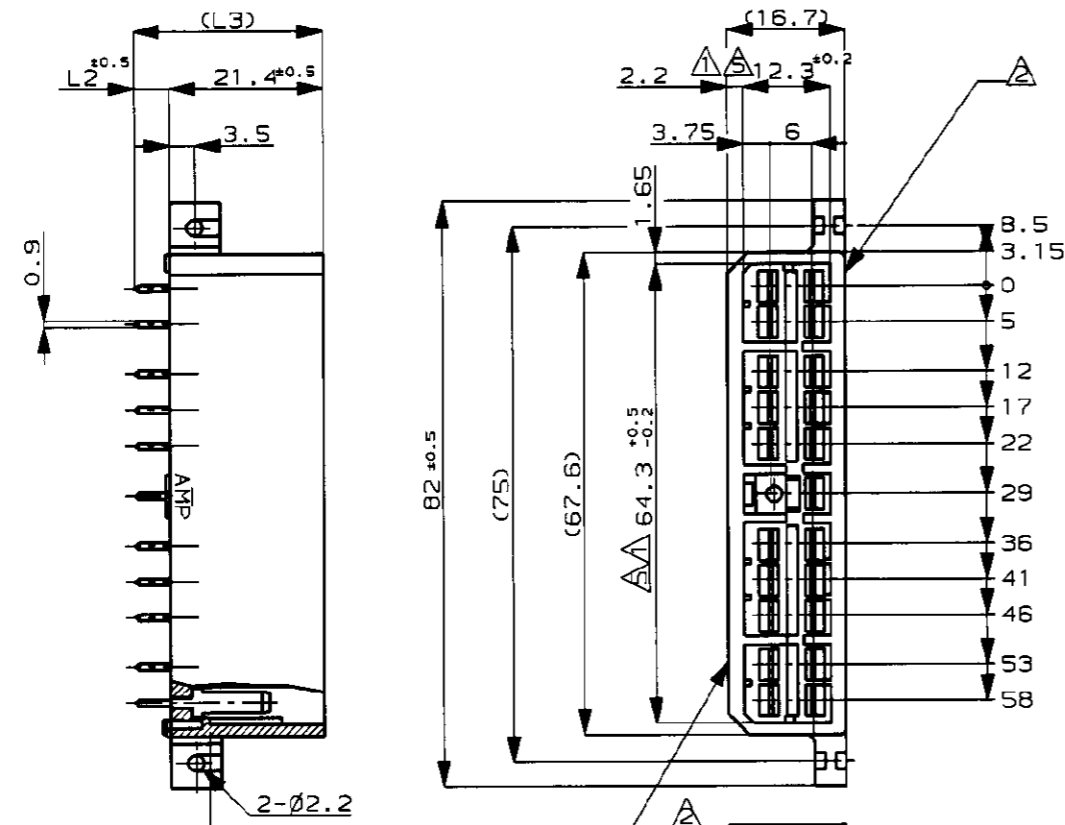


NUMBER C-171457



METRIC



プリント基板取付穴寸法図 (MOUNTING DIMENSIONS FOR P.C. BOARD)

注) (NOTES) 1. 板厚, 1.6 ±0.15 (P.C.B. THICKNESS, 1.6 ±0.15) 2. 公差, ±0.1 (TOLERANCES, ±0.1)

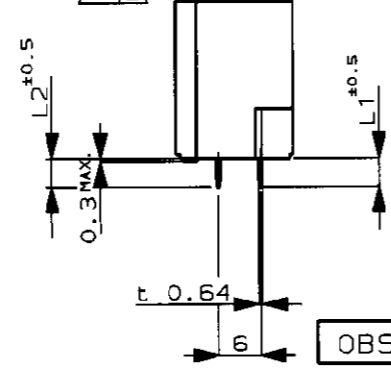


Table with columns for dimensions (32.1, 10.7, 10.7, 47.5, 26.1, 14.1, 30.3, 8.9, 8.9, 26.3, 4.9, 4.9, 26.3, 4.9, 4.9, 26.3, 4.9, 4.9), materials (PRE-TIN BRASS, SELECTIVE GOLD), colors (NATURAL, GREEN, BROWN, BLACK), and part numbers (6-171457-1, 5-, 4-, 1-, 1-, -8, -7, -6, -5, -4, -3, -2, 171457-1).

注記: 1. 相手ハウジングと所定の機能を満たして嵌合できること 2. フードの反りは0.2以内 3. 推奨取付けねじ: JIS B 1115 又は、1122 タッピンねじ... 4. 通用製品規格 No.108-5093 5. -A-面より2mmの範囲で測定のこと 6. 相手ハウジングとの嵌合力は29.4N以下... 但しリセプタクルコンタクトは含まない

NOTES: 1. IN COUPLING WITH THE PLUG HOUSING MATING SATISFIES FUNCTION 2. WARPAGE 0.2 MAX. 3. RECOMMENDED MOUNTING SCREW, 3mm DIA., PAN HEAD, CLASS 1 TAPPING SCREW SPECIFIED IN JIS B1115, B1122 4. SPEC. No. 108-5093 5. TO BE MEASURED WITHIN 2mm FROM -A- 6. IN COUPLING WITH THE PLUG HOUSING MATING FORCE 29.4N MAX. WITHOUT REC CONTACTS.

Copyright ©1999 AMP (Japan), LTD. ALL RIGHTS RESERVED. AMP logo and company info. Table with columns for material (66NYLON), finish (SEE TABLE), name (21P VERTICAL TYPE CAP HOUSING ASS'Y), and revision record (K1, K, J, LTR).

単位: 純 DIMENSIONS IN MM. DO NOT SCALE PRINT

PRINT DIST