

**Bourdon tube pressure gauges, liquid filled,**

**Modelcode type: 213.53.0XX**

**Item number: 82331807**

**Description**

|                            |               |
|----------------------------|---------------|
| Design according           | EN 837-1      |
| Accuracy class             | class 1.6     |
| Scale range                | 0...400 bar   |
| 2nd Scale or Special Scale | 2nd scale MPa |

**Constructional design**

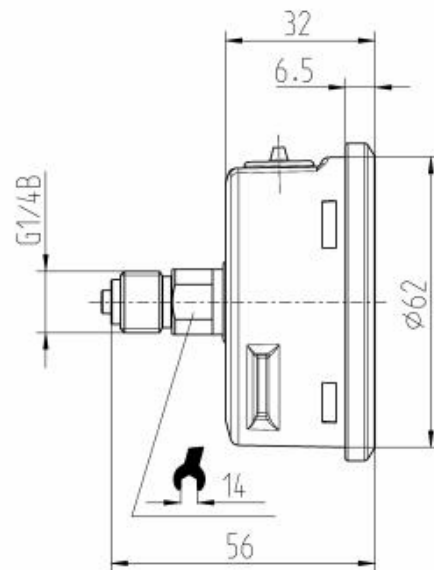
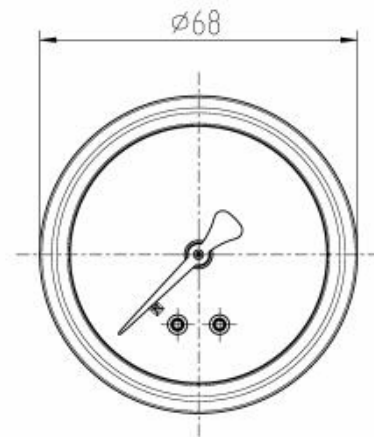
|                    |                                  |
|--------------------|----------------------------------|
| Process connection | G 1/4 B                          |
| Connector location | back mount                       |
| Pressure element   | Copper alloy                     |
| Movement           | Copper alloy                     |
| Case               | Crimp ring case (version 53)     |
| Nominal size       | 063 mm                           |
| Restrictor         | brass, D 0.3                     |
| Case filling fluid | glycerine                        |
| Pointer            | plastic, black (double division) |
| Window             | plastic, clear                   |
| Dial               | plastic, white, with stop-pin    |

**Operating conditions**

|   |   |
|---|---|
| Pressure limitation   | Steady: 3/4 x full scale value<br>Fluctuating: 2/3 x full scale value<br>Short time: Full scale value |
| Permissible ambient temperature   | -20 ... +60 °C  |
| Permissible medium temperature  | +60°C maximum   |
| Temperature effect when the temperature deviates from the reference temperature (+20°C) | Max. +/-0.4 %/10 K of the span  |
| Ingress protection  | IP 65   |

**Dial description:**

|                             |       |
|-----------------------------|-------|
| Pressure Gauge Standard     | China |
| color for 1.scale (outside) | black |



**Bourdon tube pressure gauges, liquid filled,**

**Modelcode type: 213.53.0XX**

**Item number: 82331807**

|                            |                           |
|----------------------------|---------------------------|
| color for 2.scale (inside) | red RAL 3020              |
| dial background            | White                     |
| Manufacturer logo          | *WIKA*                    |
| stop pin on dial           | at zero                   |
| norm-mark on dial          | *EN 837-1*                |
| safetymark on dial         | *S*                       |
| accuracy class on dial     | *Cl.1.6*                  |
| CE mark on dial            | *UKCA* *CE* model * ... * |
| <b>Labelcode</b>           |                           |
| Label                      | WIKA standard             |
| language of the label      | German                    |