



ENGLISH

Datasheet

Stainless Steel Manual Ball Valve

RS Stock number [764-4269](#)



Features:

Investment casting

Blow-out proof stem

Locking device

Tapped and drilled mounting pad (option)

TA-Luft approved (option)

Length conform to DIN 3202/4-M3-2006SM3 (option)

Thread type: ASME B1.20.1 (NPT) DIN2999 and BS21 ISO7/1 and EN10226

Specifications:

Attachment Type: Threaded

Ball Material: Stainless Steel

Body Material: Stainless Steel

Handle Colour: Blue

Handle Material: Stainless Steel

Maximum Working Pressure: 1000 psi

Safe for Use With: Gas, Oil and Water

Thread Size: 3/4 in

Thread Standard: BSPP

Threaded Connection: 3/4 in

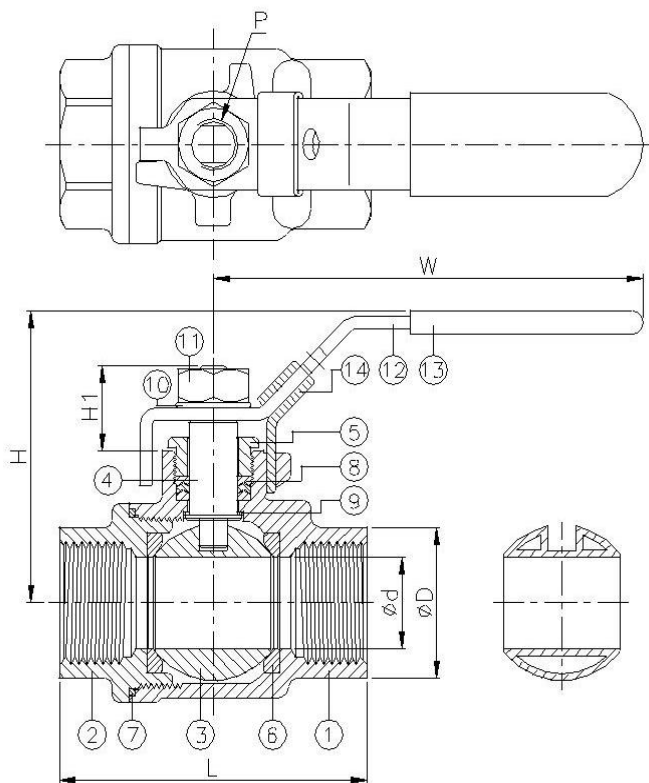


Figure 1

ITEM	PARTS	MATERIAL
1	BODY	ASTM A351-CF8M
2	CAP	ASTM A351-CF8M
3	SOLID BALL	ASTM A351-CF8M
	HOLLOW BALL	ASTM A240-316
4	STEM	ASTM A276-316
5	GLAND	AISI 304
6	SEAT	RTFE
7	SEAL	PTFE
8	PACKING	PTFE
9	THRUST WASHER	PTFE
10	SPRING WASHER	AISI 304
11	NUT	AISI 304
12	HANDLE	STAINLESS STEEL
13	HANDLE SLEEVE	PVC
14	LOCKING DEVICE	STAINLESS STEEL

**Measurements:**

DN	d	D	L	H	H1	W	P	Torque (N-M)	Weight (kg)
20	20	32	65.6	63.5	22.5	125	7/16" – 20 UNF	7.5	0.5

The measurements in the above tables are given in mm unless otherwise stated. The data corresponds to the lettering given in Figure 1.