

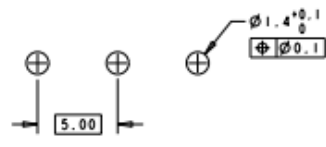
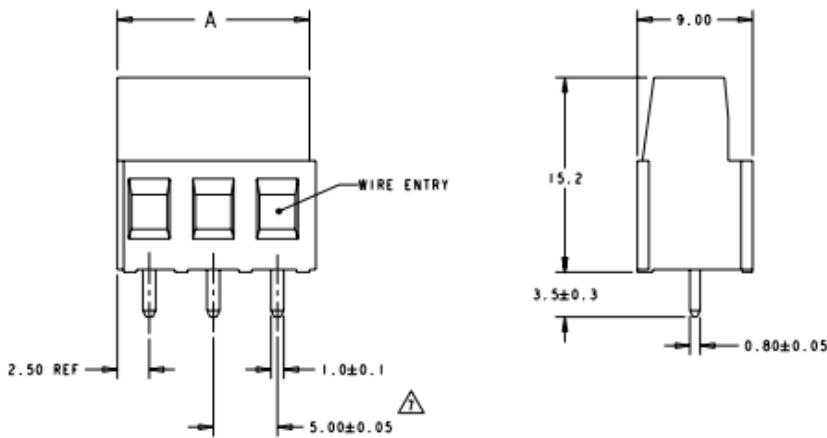
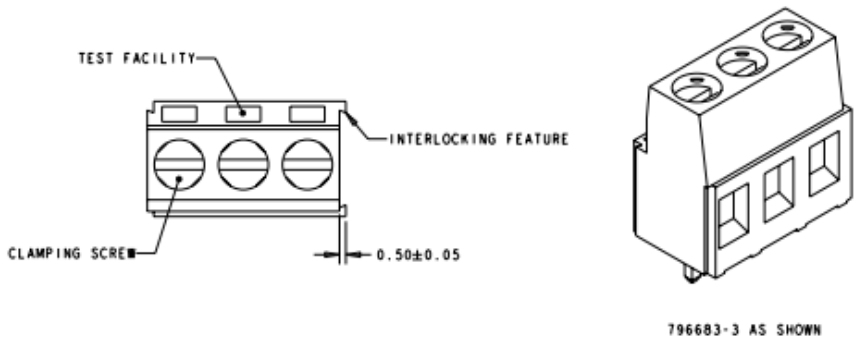
Professionally approved products.

Datasheet

Connector pcb 2 way 5.00mm Terminal Block

RS Stock number [717-6643](#)

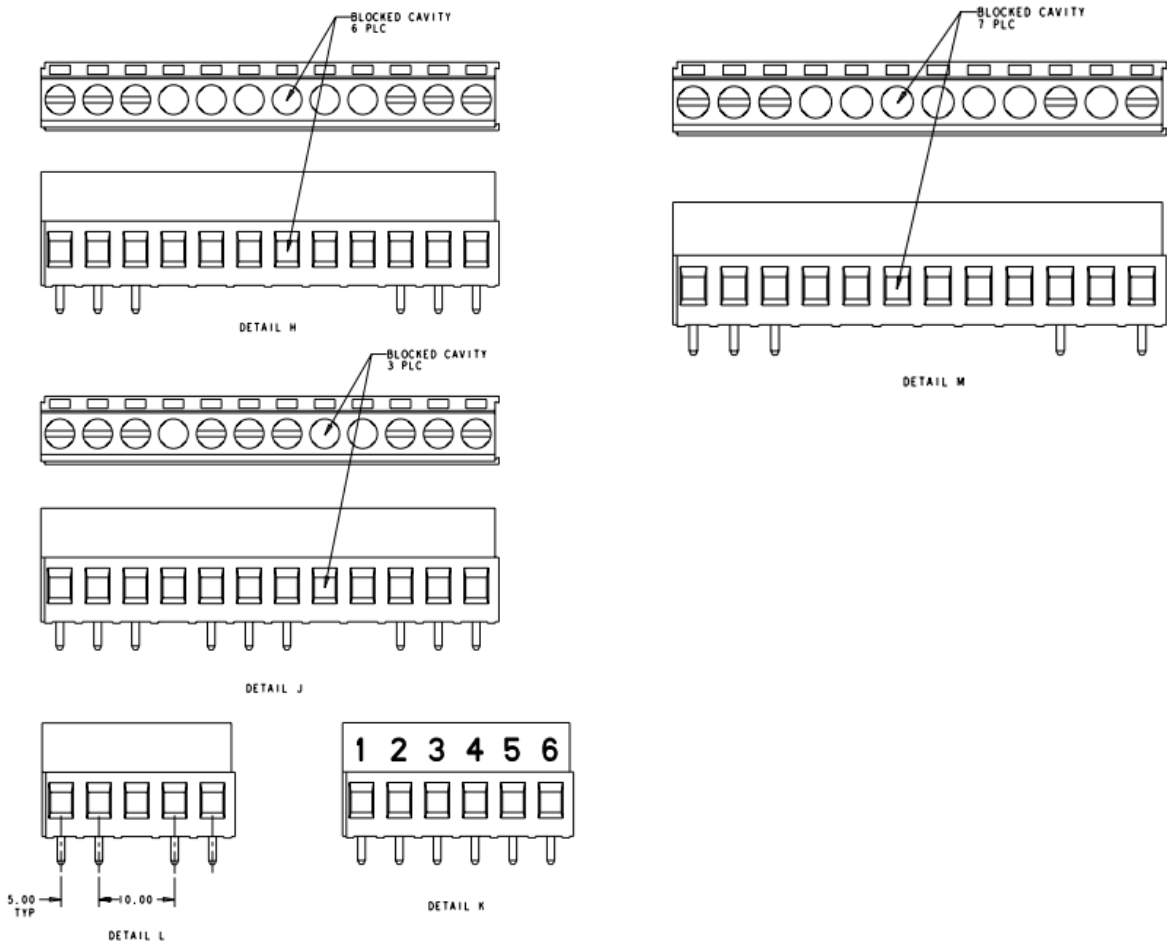
Dimensions: mm



RECOMMENDED PC BOARD LAYOUT
SCALE 5:1

Professionally approved products.

Datasheet



Specifications

- Suitable for 1,6-2,4mm PCB thickness
- End-to-end stackable W/Interlock without loss of centreline spacing
- Wire Size Range: 12-30AWG
- Recognised under the component program of underwriters laboratories Inc.
- IMQ certificate with surveillance in conformity with IEC 998-1 / 998-2-1
- Not cumulative tolerance
- Ink marked white. Numerical sequence from left to right

Materials and Finish

- Housing: PA 6-6, UL94-VO
- Colour: Green
- Clamp: Brass, Nickel Plated
- Terminal: Brass, Tin Plated
- Clamping Screw: M3, Brass, Nickel Plated