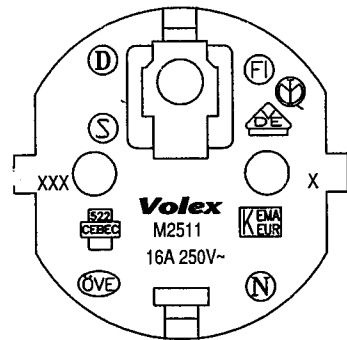
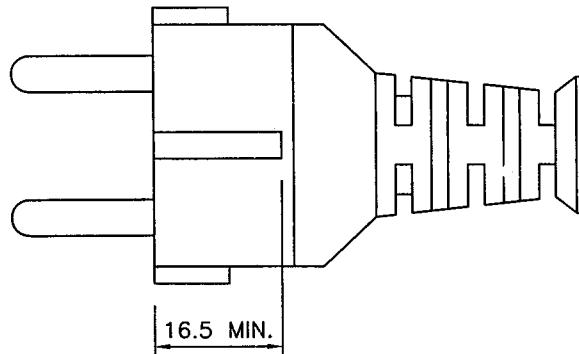
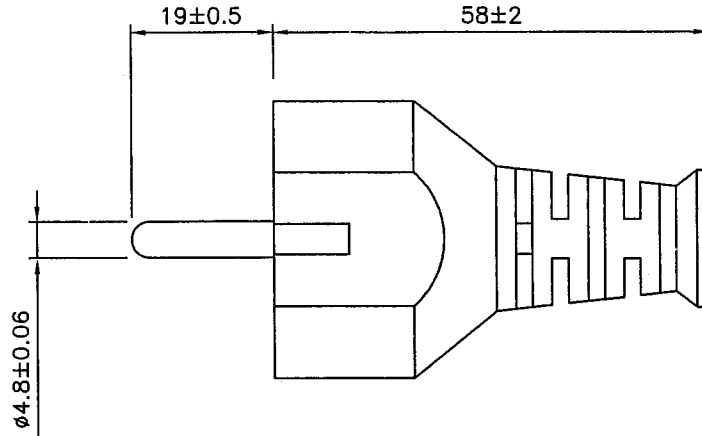
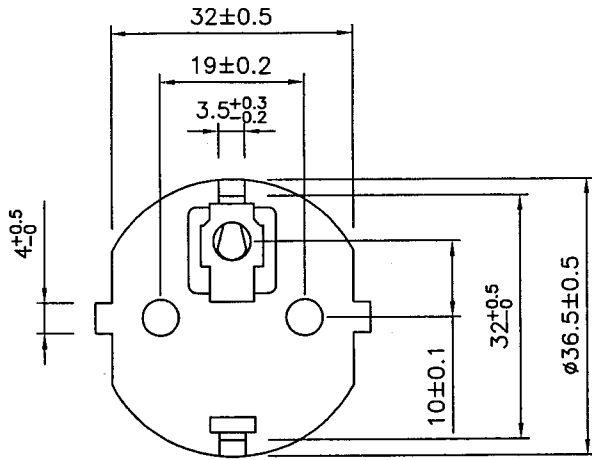


REV.	DESCRIPTION	DATE
Q	ADD RIB INTO STRAIN RELIEF PER ECR 090706.	22/05/09
R	REMOVE THE CLOSED FACTORY FROM MANU.	20/07/09
	LOCATION MARK.	



MARKING DETAILS :



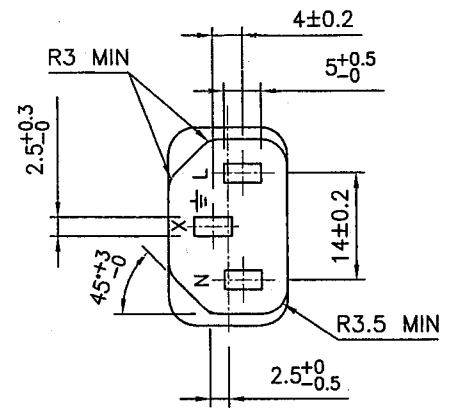
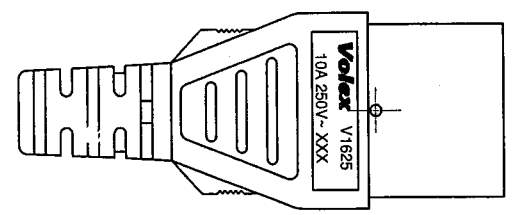
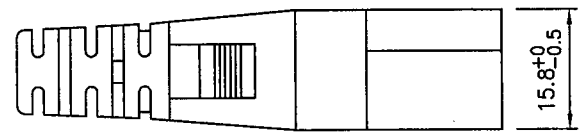
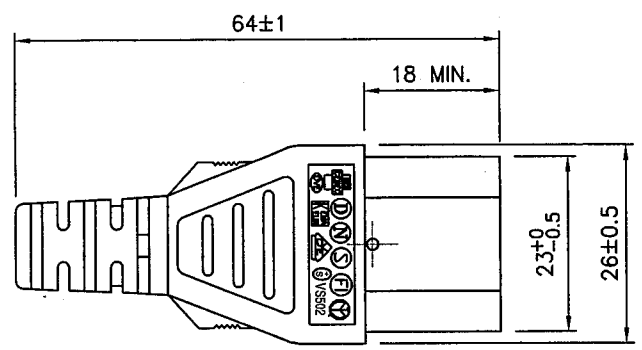
NOTES :

- 1.) ALL DIMENSIONS IN mm.
- 2.) X - CAVITY NO. (OPTIONAL)
- 3.) XXX - MANUFACTURING LOCATION.

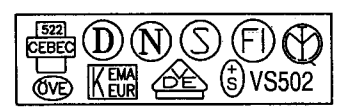


HG	HENG GANG (CHINA)	X	DRAWN	LI XIA	20/07/09	FILE NAME :	TITLE : MOLDED PLUG M2511	
SM1	ZHONGSHAN (CHINA)	X	CHECK	<i>hongli</i>	<i>22/07/09</i>	A-PLUG/EURO/ GENERAL/ M2511-EURO		
VH	HANOI (VIETNAM)	X	APPR	<i>Weta</i>	<i>29/7/19</i>	N.T.S.		
B	BATAM (INDONESIA)	X	REV.	R	SCALE	N.T.S.		
VC	CHENNAI (INDIA)	X	REFERENCE :				Confidential property of Volex. Information contained herein shall not be disclosed to others, reproduced or used for any other purposes except as authorized in writing by an authorized official of volex asia.	
MANUFACTURE LOCATION MARK (' X ' IS APPLICABLE ONLY)			EUROPEAN APPROVAL					

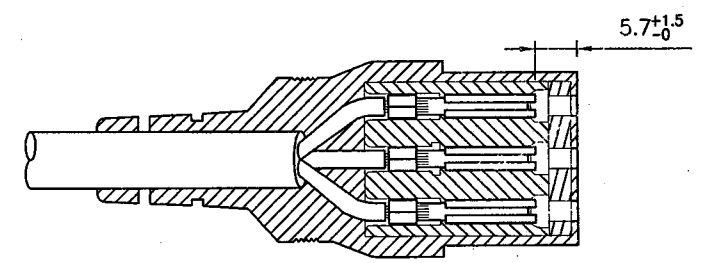
REV.	DESCRIPTION	DATE
	UPDATE FORMAT AS SHOWN.	
J	REMOVE THE CLOSED FACTORY FM. MANU. LOC. MARK.	02/11/06
	REMOVE THE CLOSED FACTORY FROM MANU.	
K	LOCATION MARK.	23/07/09



Volex V1625
10A 250V~ XXX



MARKING DETAILS



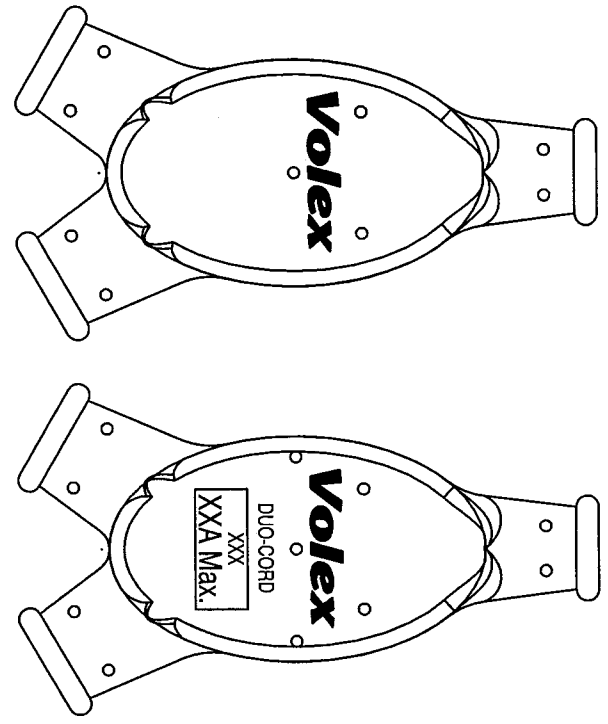
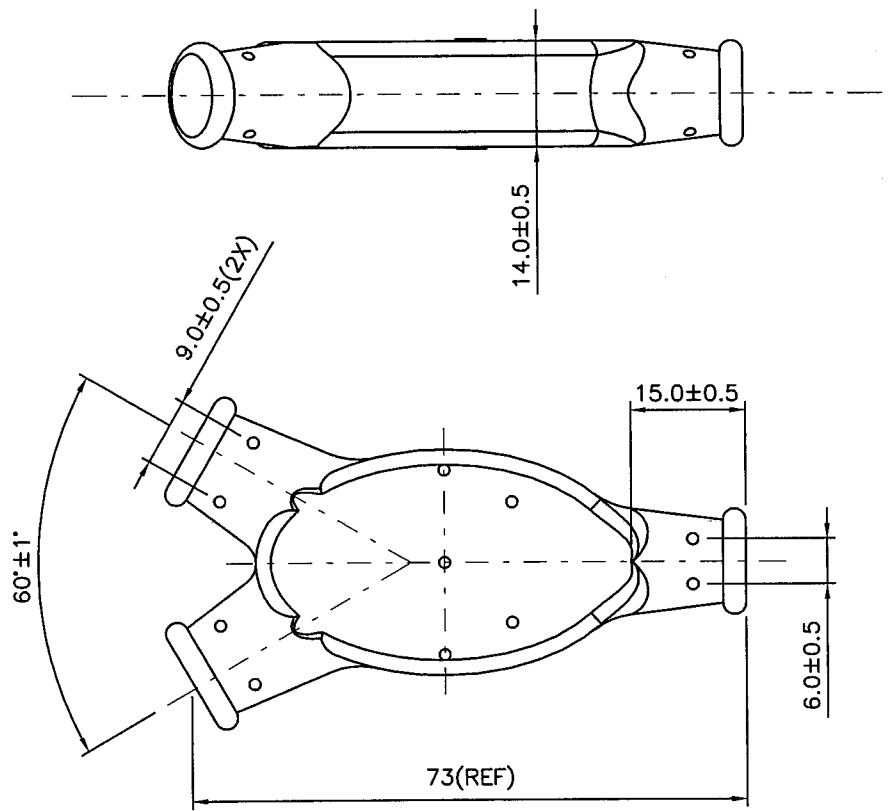
NOTES :

- 1.) ALL DIMENSIONS IN mm.
- 2.) X - CAVITY NO. (OPTIONAL)
- 3.) XXX - MANUFACTURING LOCATION



HG	HENG GANG (CHINA)	X	DRAWN	QIAN SM	23/07/09	FILE NAME :	TITLE : MOLDED CONNECTOR V1625
SM1	ZHONGSHAN (CHINA)	X	CHECK	henggh	27/07/09	A CONN/EURO/ GENERAL/V1625- EUROPEAN	
VH	HANOI (VIETNAM)	X	APPR	weta	30/7/9		
B	BATAM (INDONESIA)	X	REV.	K	SCALE	N.T.S.	Volex (Asia) Pte Ltd <small>Confidential property of Volex. Information contained herein shall not be disclosed to others, reproduced or used for any other purposes except as authorized in writing by an authorized official of volex asia.</small>
VC	CHENNAI (INDIA)	X	REFERENCE :				
MANUFACTURE LOCATION MARK (' X ' IS APPLICABLE ONLY)			EUROPEAN APPROVAL				

REV.	DESCRIPTION	DATE
	REMOVE THE CLOSED FACTORY FM. MANU. LOCATION MARK.	
	LOCATION MARK.	
F	UPDATE THE DIM. AS SHOWN.	27/07/09
G	ADD IN MANU. LOCATION MARK 'SMI'.	26/02/10



MARKING DETAILS :

NOTES :

- 1.) ALL DIMENSIONS IN mm
- 2.) XXA MAX. - CURRENT RATING. (REFER TO TABLE)
- 3.) XXX - MANUFACTURING LOCATION.

TABLE :

CURRENT (XXA MAX.)	7A	10A	13A	
		✓		

HG	HENG GANG (CHINA)	X	DRAWN	HONGYAN	26/02/10	FILE NAME :	TITLE :	
SM1/SMI	ZHONGSHAN (CHINA)	X	CHECK	<i>hongyh</i>	<i>02/03/10</i>	A-PLUG/ NON-APPROVAL/ GENERAL/DUO-CORD	DUO-CORD	
VH	HANOI (VIETNAM)	X	APPR	<i>wpt</i>	<i>2/3/10</i>			
			REV.	G	SCALE	N.T.S.		
B	BATAM (INDONESIA)	X	REFERENCE :					Voilex (Asia) Pte Ltd
VC	CHENNAI (INDIA)	X	NON APPROVAL					<small>Confidential property of Voilex.</small>
MANUFACTURE LOCATION MARK (' X ' IS APPLICABLE ONLY)								<small>Information contained herein shall not be disclosed to others, reproduced or used for any other purposes except as authorized in writing by an authorized official of voilex asia.</small>