

Silencers - Series 2901

Product code: 2901 1

Datasheet creation date: 11/12/2025 08:11

Check the most updated document online [click here](#)

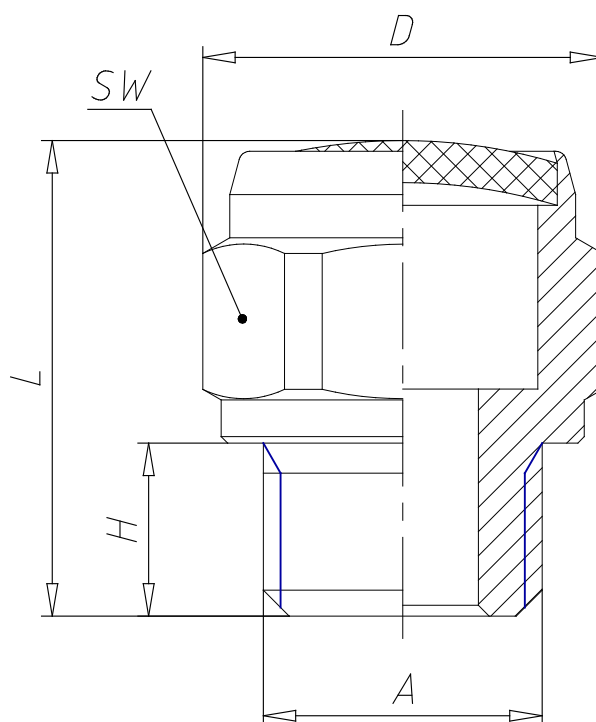


TECHNICAL DATA

Mod.	2901 1
Pressure range (Kg / cm² - bar)	max. 6
Flow (NI / min)	7600
Noise treshold (db (A))	88

Silencers - Series 2901

Product code: 2901 1



DIMENSIONS

A	G1
D (mm)	43.0
H (mm)	11
L (mm)	24.5
SW (mm)	40